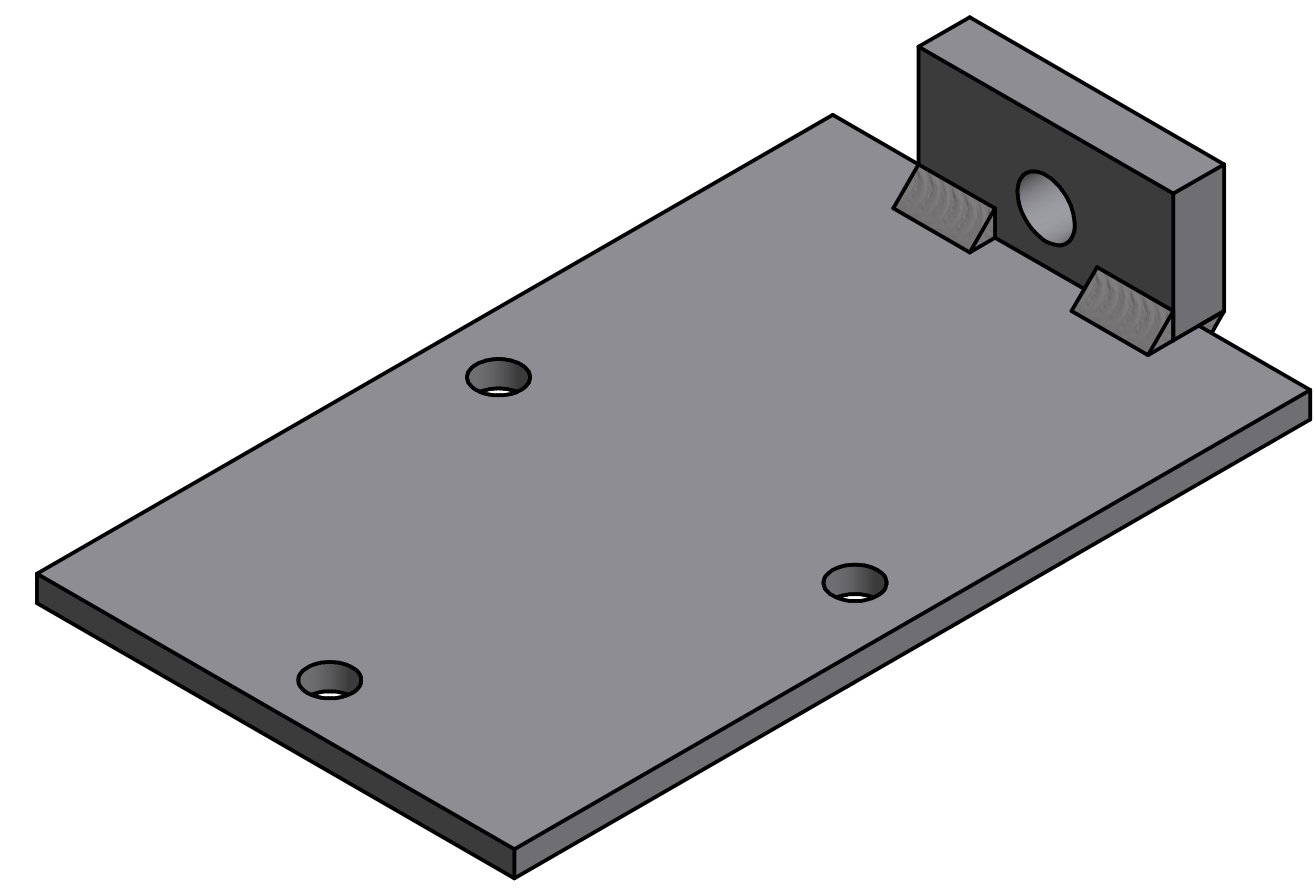
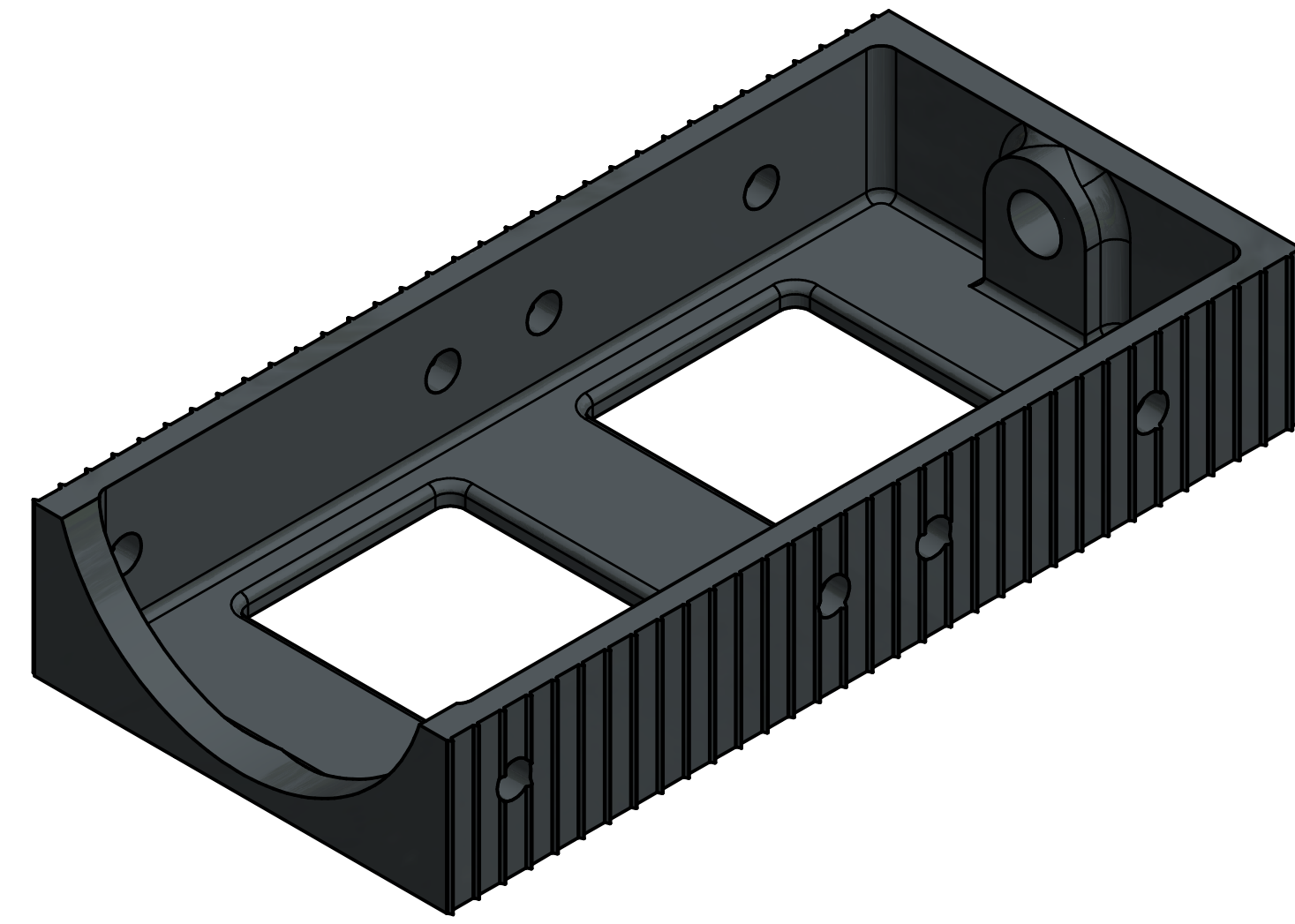


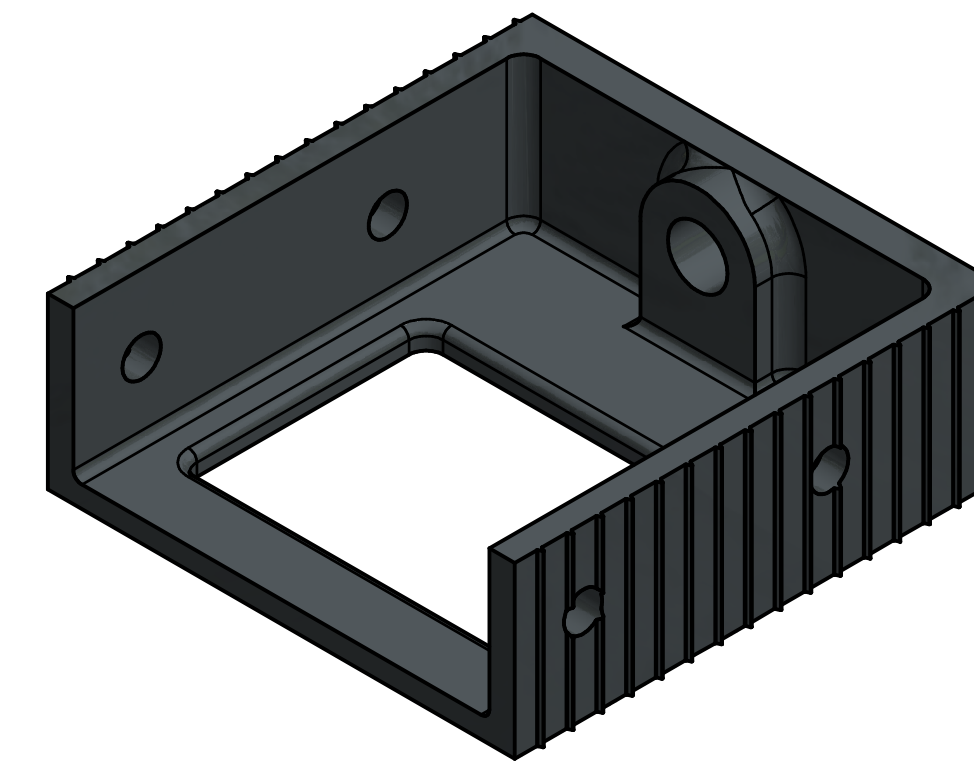
TABLE DECK PARTS DIAGRAM - T14



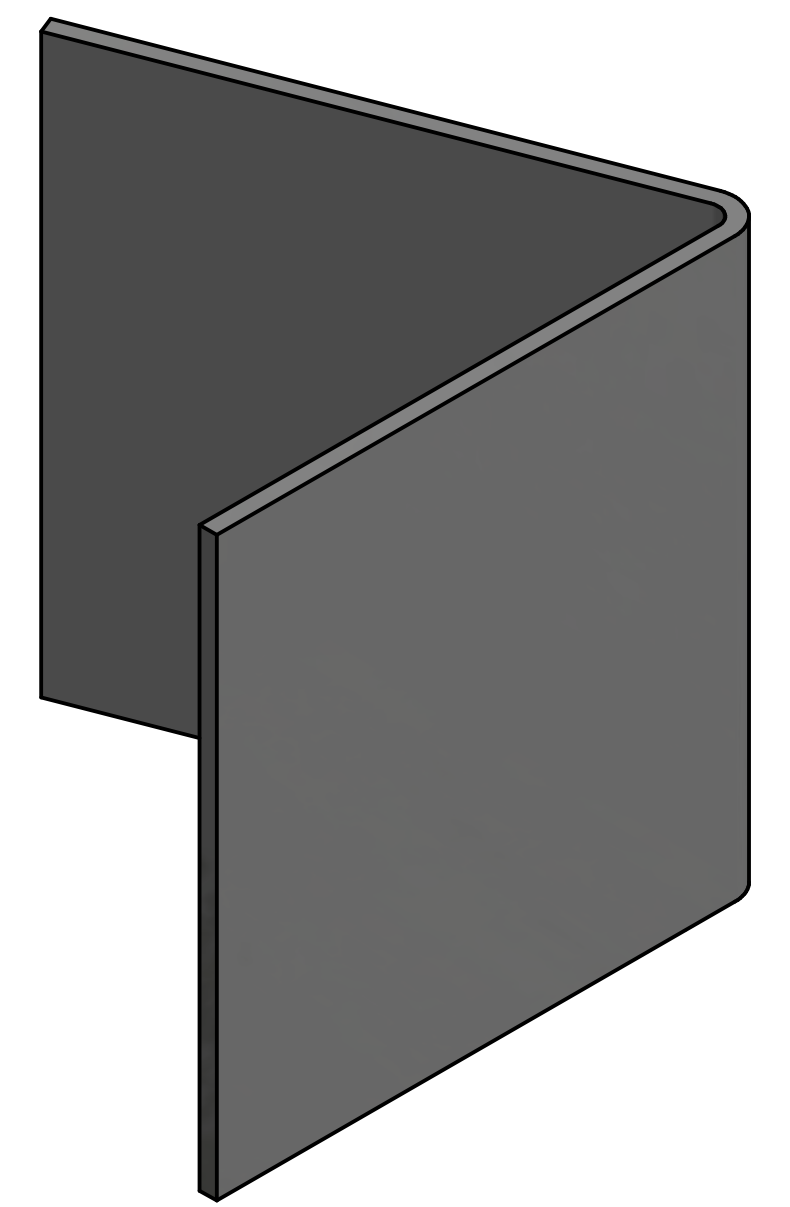
99-0-0 FEED BOX BRACKET
(OLDER TABLE MAY HAVE CAST BRACKET)



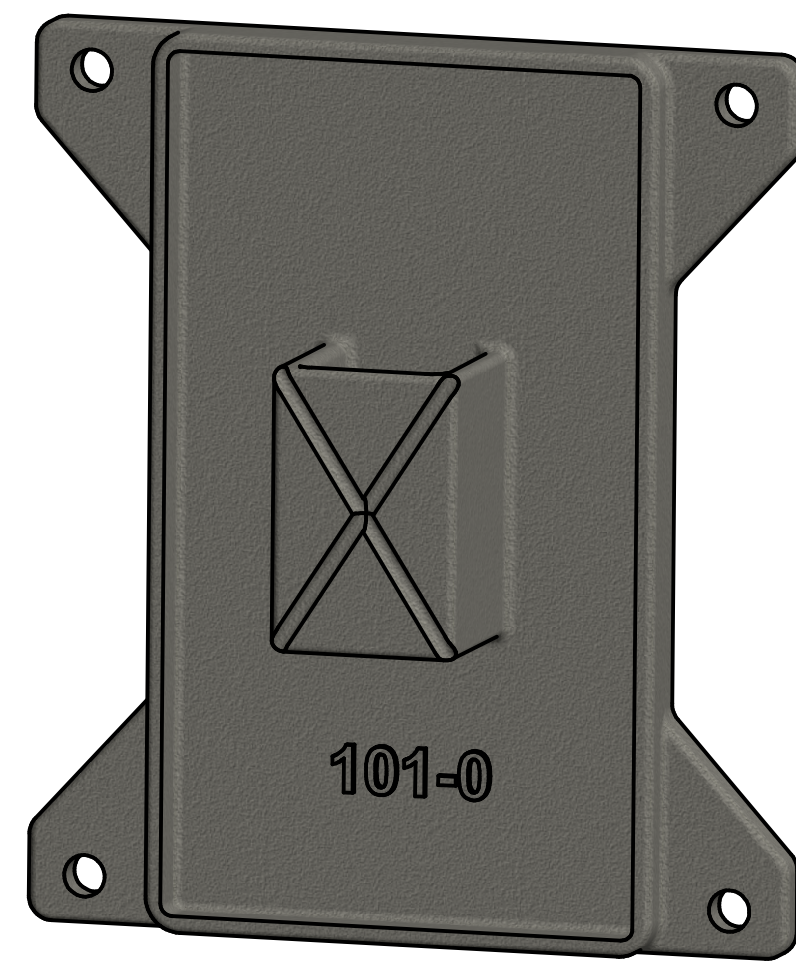
9-0-1-S PULLER BOX



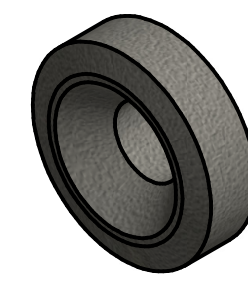
9-0 PULLER BOX



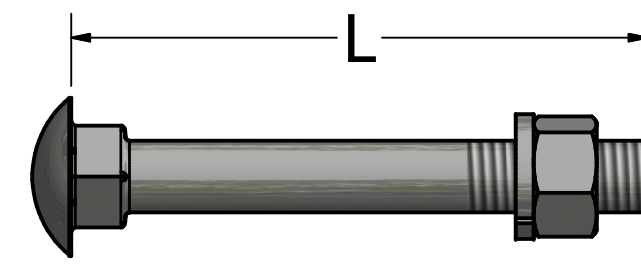
T-18 CORNER IRON 70 DEG



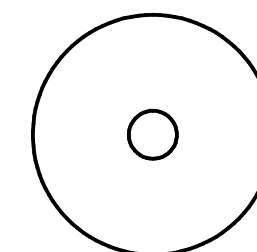
101-0 SLIDE BEARING



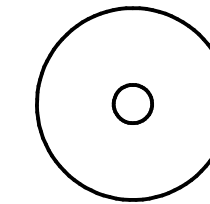
9-0-3 WEAR PLATE BOSS



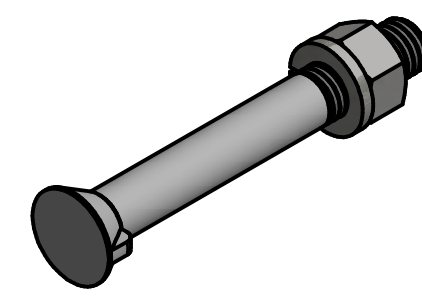
3/8" CARRIAGE BOLT, LOCK WASHER, NUT
T-40 L=4.50"
T-41 L=3.50"
T-42 L=3.00"
T-49 L=1.75"



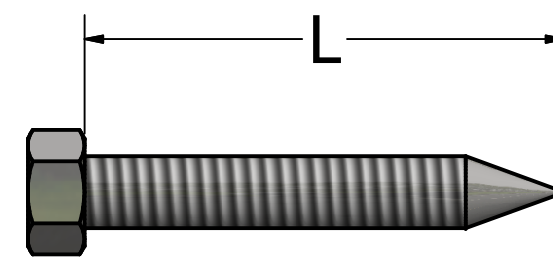
17-X
[1/2" FENDER WASHER]



17-X-1
[3/8" FENDER WASHER]



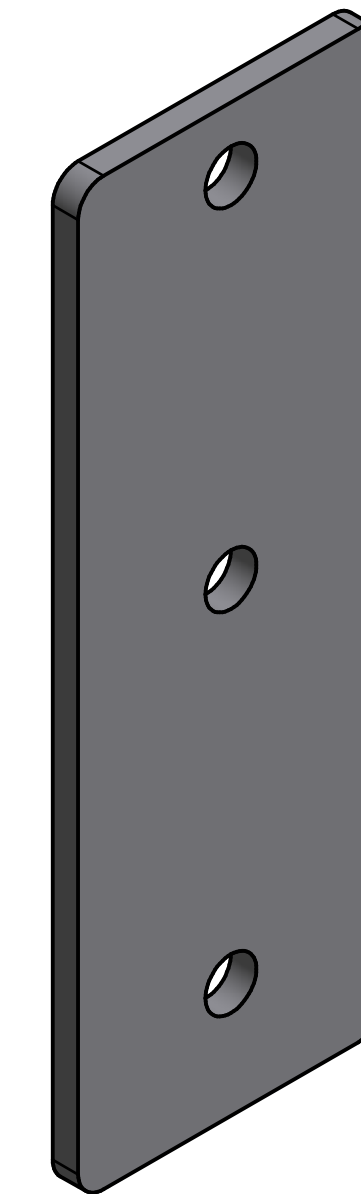
9-0-4 PULL BOX WEAR WASHER BOLT



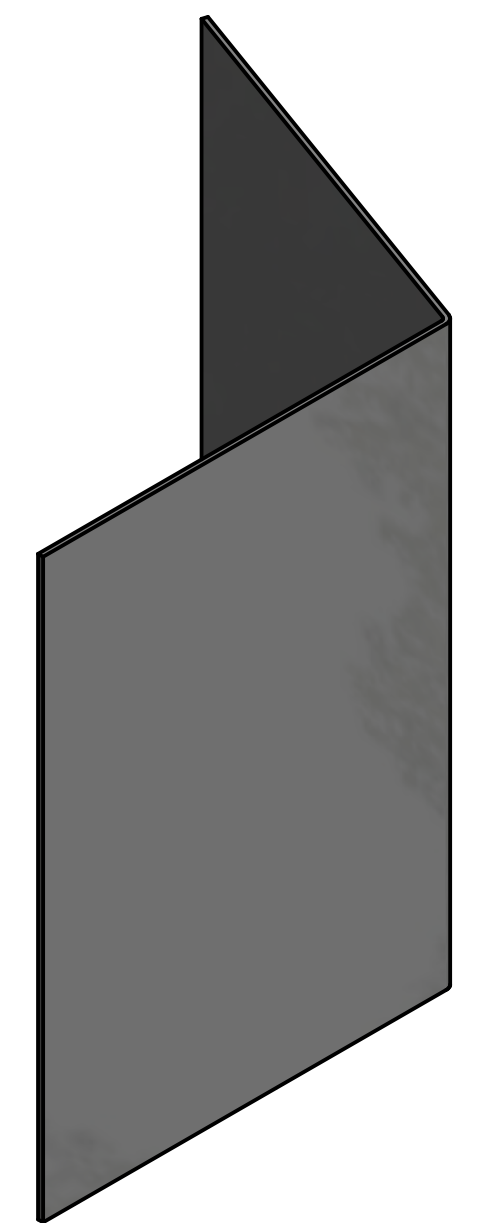
3/8" HEX LAG SCREW
T-45 L= 2.5"
T-46 L=1.5"



T-54
1/2" FLAT WASHER



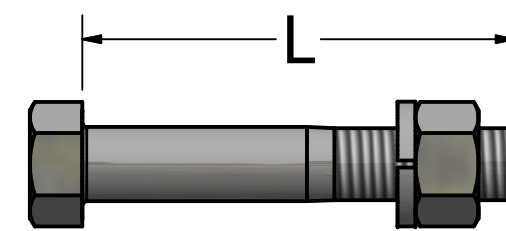
T-17 PLATE FOR SIDE BOARD



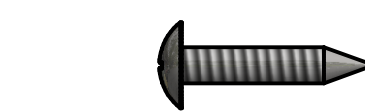
T-16 CORNER ANGLE 110 DEG



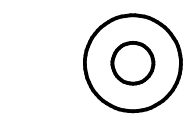
T-23 FEED BOX SHUT-OFF



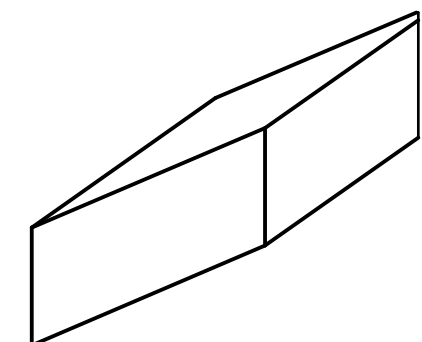
3/8" HEX BOLT, WASHER, NUT
T-34 L=8.50"
T-34-2 L=10.0"
T-35-1 L=9.50"
T-43-2 L=5.50"
T-44 L=2.25"
T-47 L=1.25"



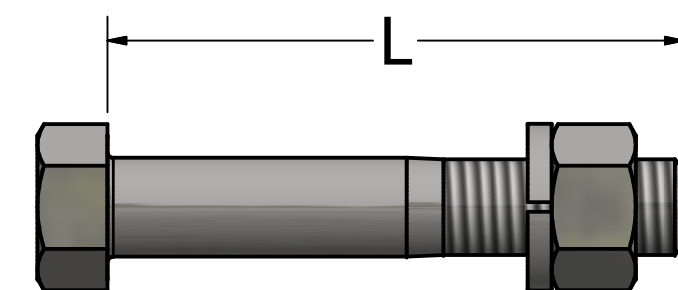
T-51 WOOD SCREW
#10 x 1" ROUND HEAD WOOD SCREW



T-53
3/8" FLAT WASHER



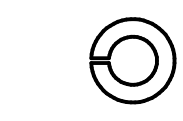
T-21 WATER BOARD BUTTON



1/2" HEX BOLT, WASHER, NUT
T-31 L=3.50"
T-32 L=3.0"
T-32-1 L=2.75"



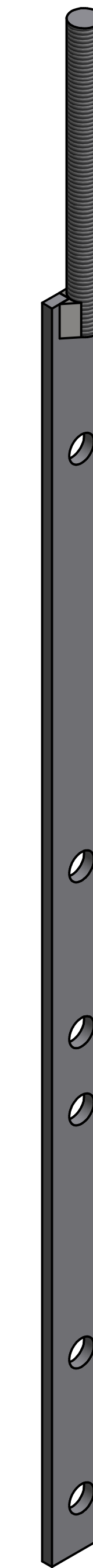
T-55
5/8" LOCK WASHER



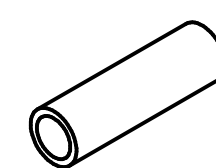
T-56
1/2" LOCK WASHER



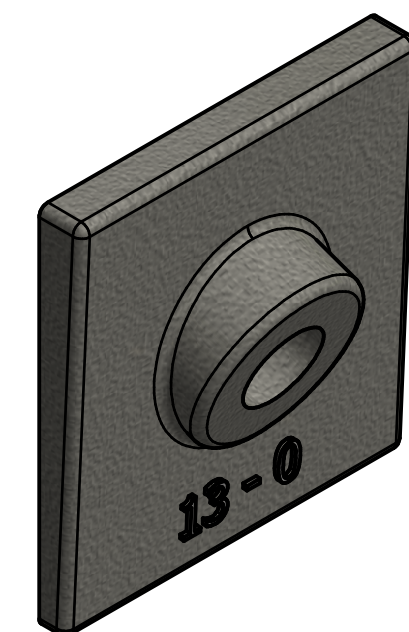
T-57
3/8" LOCK WASHER



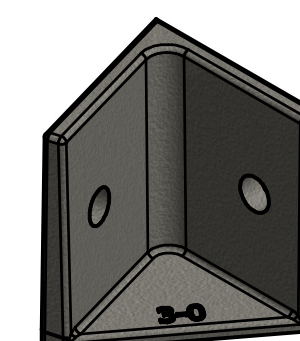
31-0 [COMPLETE SET]
31-0-M [MOTION END SET]
31-0-S [SPRING END SET]



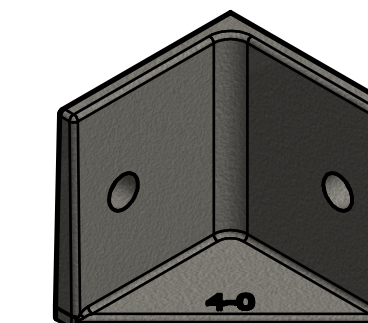
T-52 WATER BOARD SPACER
Pipe 3/8 - Schedule 40 x 2.1875"



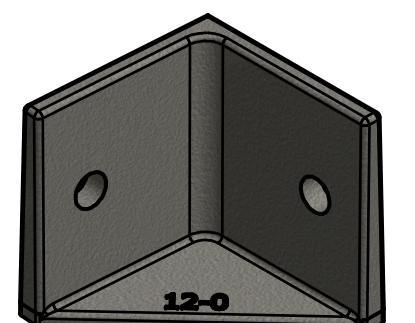
13-0 FLAT STRINGER BRACKET



3-0 CORNER STRINGER BRACKET



4-0 MOTION END STRINGER BRACKET



12-0 STRINGER BRACKET