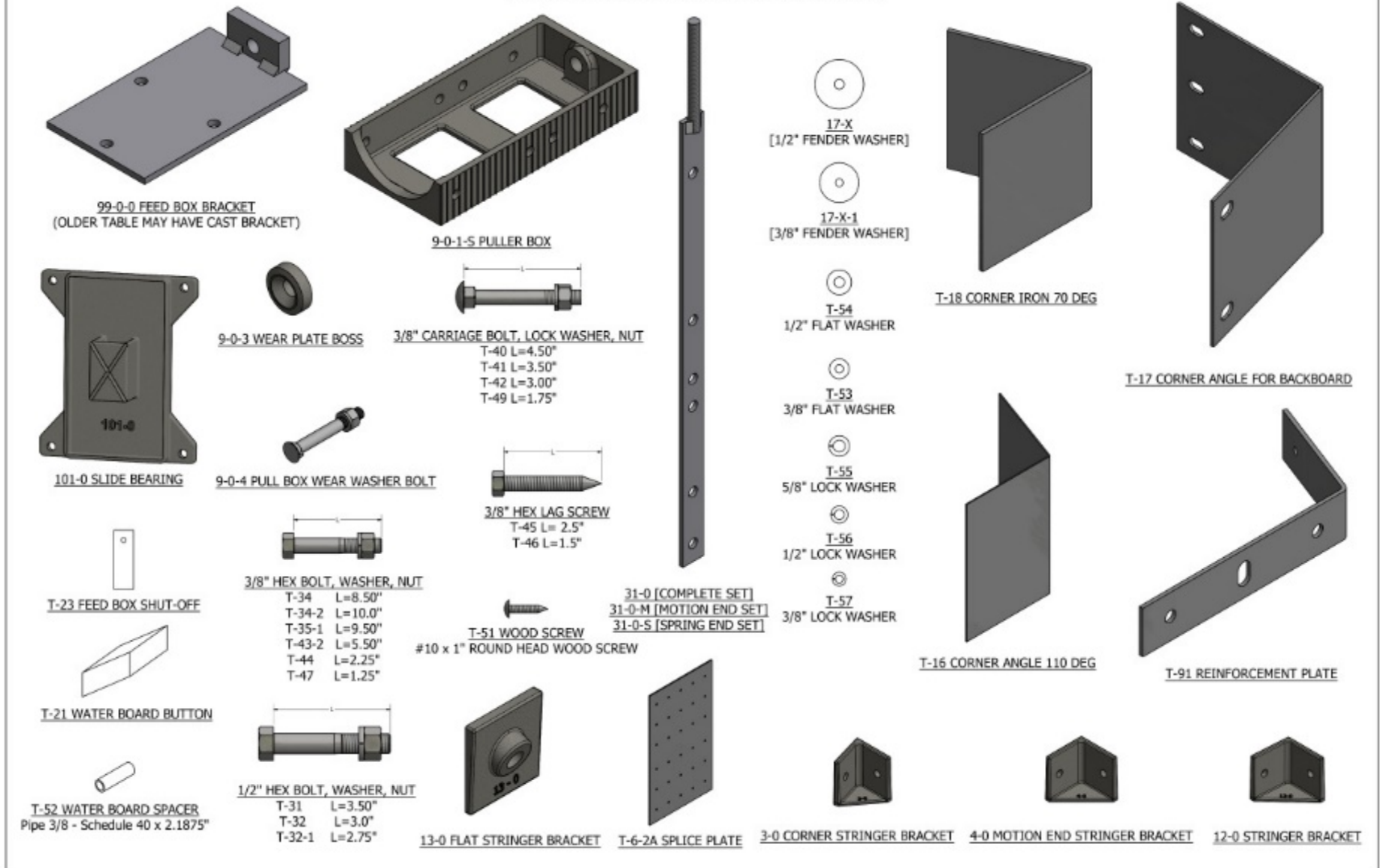


Parts for Deck Only SuperDuty Diagonal-Deck No. 6 Concentrating Table

TABLE DECK PARTS DIAGRAM



Parts for Deck Only SuperDuty Diagonal-Deck No. 6 Concentrating Table

Part Number	Number of Pieces Per Table	Description	Part Number	Number of Pieces Per Table	Description
3-0	1	Corner Stringer Bracket	T-32	10	1/2" x 3" Hex Bolt, Washer, Nut
4-0	3	Motion End Stringer Bracket	T-32-1	10	1/2" x 2.75" Hex Bolt, Washer, Nut
9-0-1-S	2	Puller Box	T-34	1	3/8" x 8.5" Hex Bolt, Washer, Nut
9-0-3	2	Wear Plate Boss	T-34-2	2	3/8" x 10" Hex Bolt, Washer, Nut
9-0-4	2	Pull Box Wear Washer Bolt	T-35-1	1	3/8" x 9.5" Hex Bolt, Washer, Nut
12-0	3	Stringer Bracket	T-40	6	3/8" x 4.5" Carriage Bolt, Lock,Washer, Nut
13-0	6	Flat Stringer Bracket	T-41	8	3/8" x 3.5" Carriage Bolt, Lock,Washer, Nut
17-X	4	1/2" Fender Washer	T-42	7	3/8" x 3" Carriage Bolt, Lock,Washer, Nut
17-X-1	45	3/8" Fender Washer	T-43-2	1	3/8" x 5.5" Hex Bolt, Washer, Nut
31-0	3	Table Puller Straps (Complete)	T-44	10	3/8" x 2.25" Hex Bolt, Washer, Nut
31-0-M	2	Table Puller Straps (Motion End)	T-45	10	3/8" x1.5" Hex Lag Screw
31-0-S	1	Table Puller Straps (Spring End)	T-46	32	3/8" x 2.5" Hex Lag Screw
99-0-0	1	Feed Box Bracket	T-47	16	3/8" x 1.25" Hex Bolt, Washer, Nut
101-0	6	Slide Bearing	T-49	2	3/8" x 1.75" Carriage Bolt, Lock,Washer, Nut
T-6-2A	1	Splice Plate	T-51	19	#10 x 1" Round Wood Screw
T-16	1	Corner Angle 110 Deg.	T-52	2	3/8" x 2-3/16" Water Board Spacer
T-17	1	Corner Angle for Backboard	T-53	6	3/8" Flat Washer
T-18	1	Corner Iron 70 Deg.	T-54	7	1/2" Flat Washer
T-21	13	Water Board Button-Slime	T-55	4	5/8" Lock Washer
T-21	20	Water Board Button-Sand	T-56	12	1/2" Lock Washer
T-23	23	Feed Box Shut Off-Slime	T-57	24	3/8" Lock Washer
T-23	14	Feed Box Shut Off-Sand	T-91	1	Reinforcement Plate
T-31	1	1/2" x 3.5" Hex Bolt, Washer, Nut			