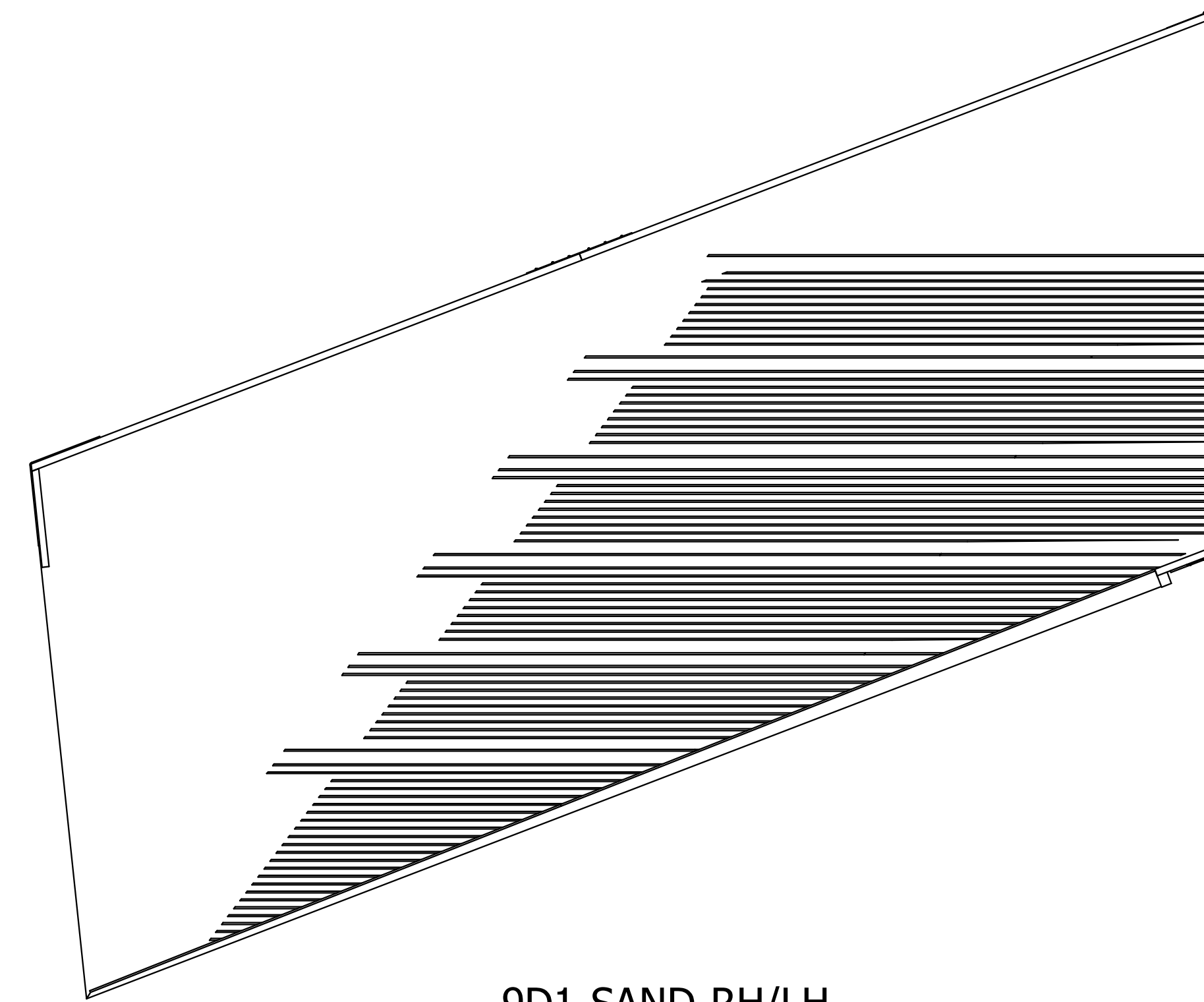


MODEL 'T999' TABLE PARTS DIAGRAM (UPPER ASSEMBLY)

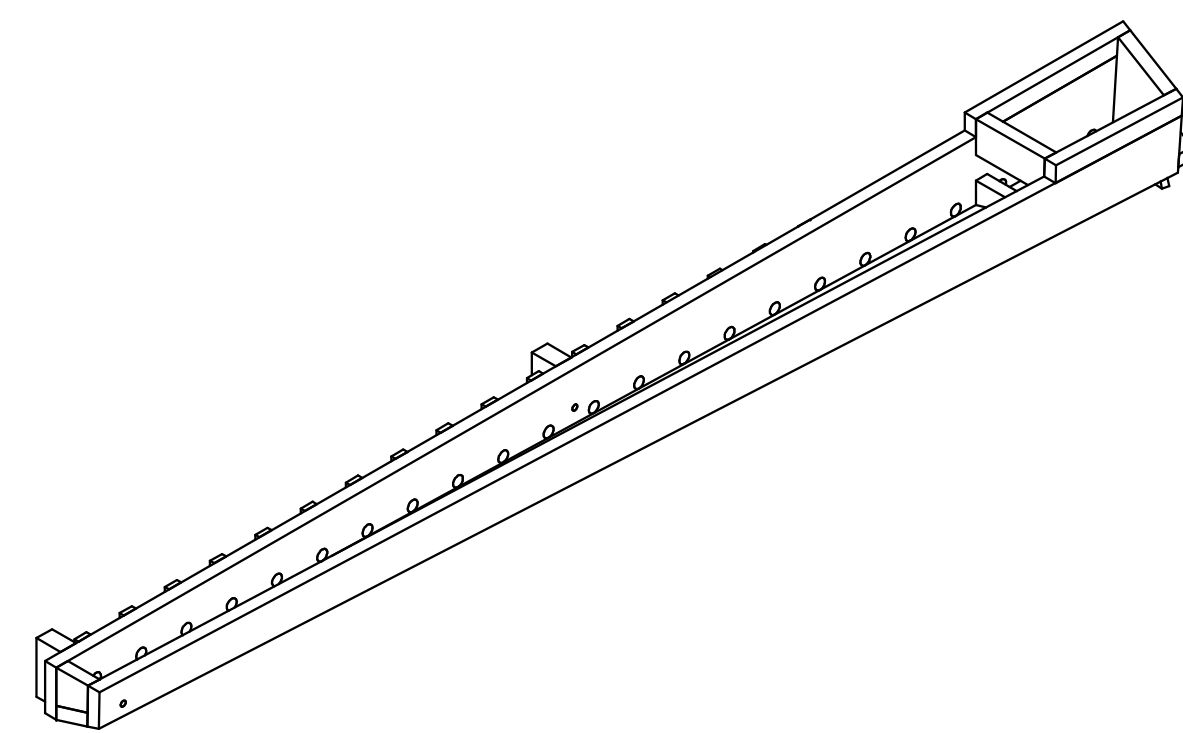
WHEN ORDERING PARTS:
 -GIVE TABLE SERIAL NUMBER FOUND ON TAG
 -NOTE ANY DIFFERENCE FROM THIS DIAGRAM
 -FOR RIGHT HAND TABLE USE THE RH PART NUMBER
 AND FOR LEFT HAND USE LH



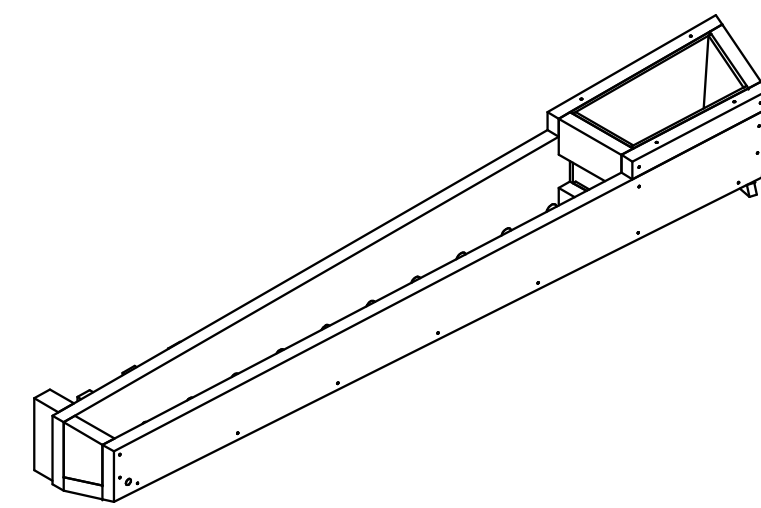
9D1-SLIME-RH/LH
(SLIME TABLE)



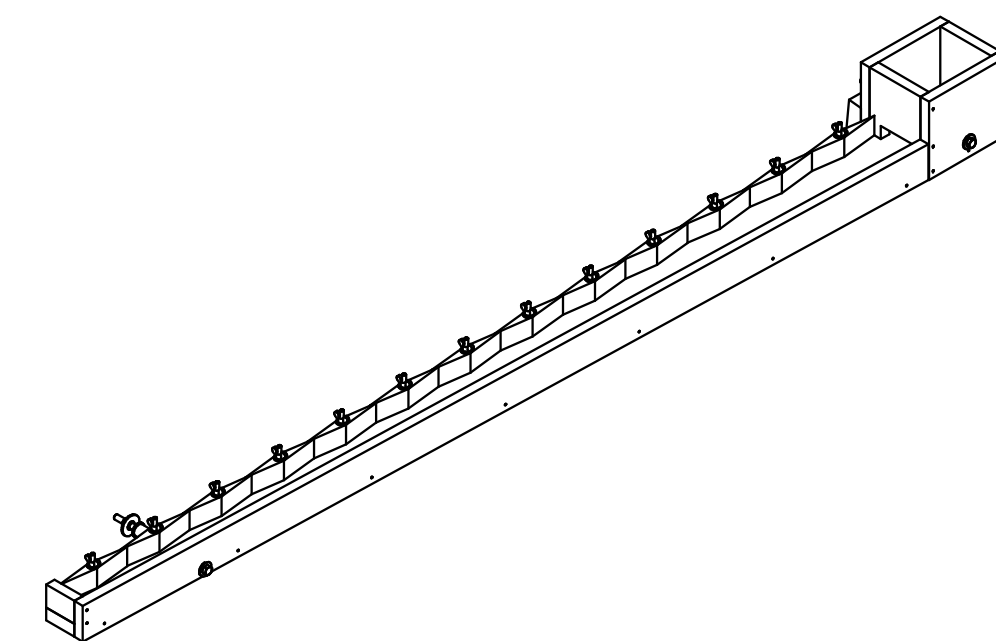
9D1-SAND-RH/LH
(SAND TABLE)



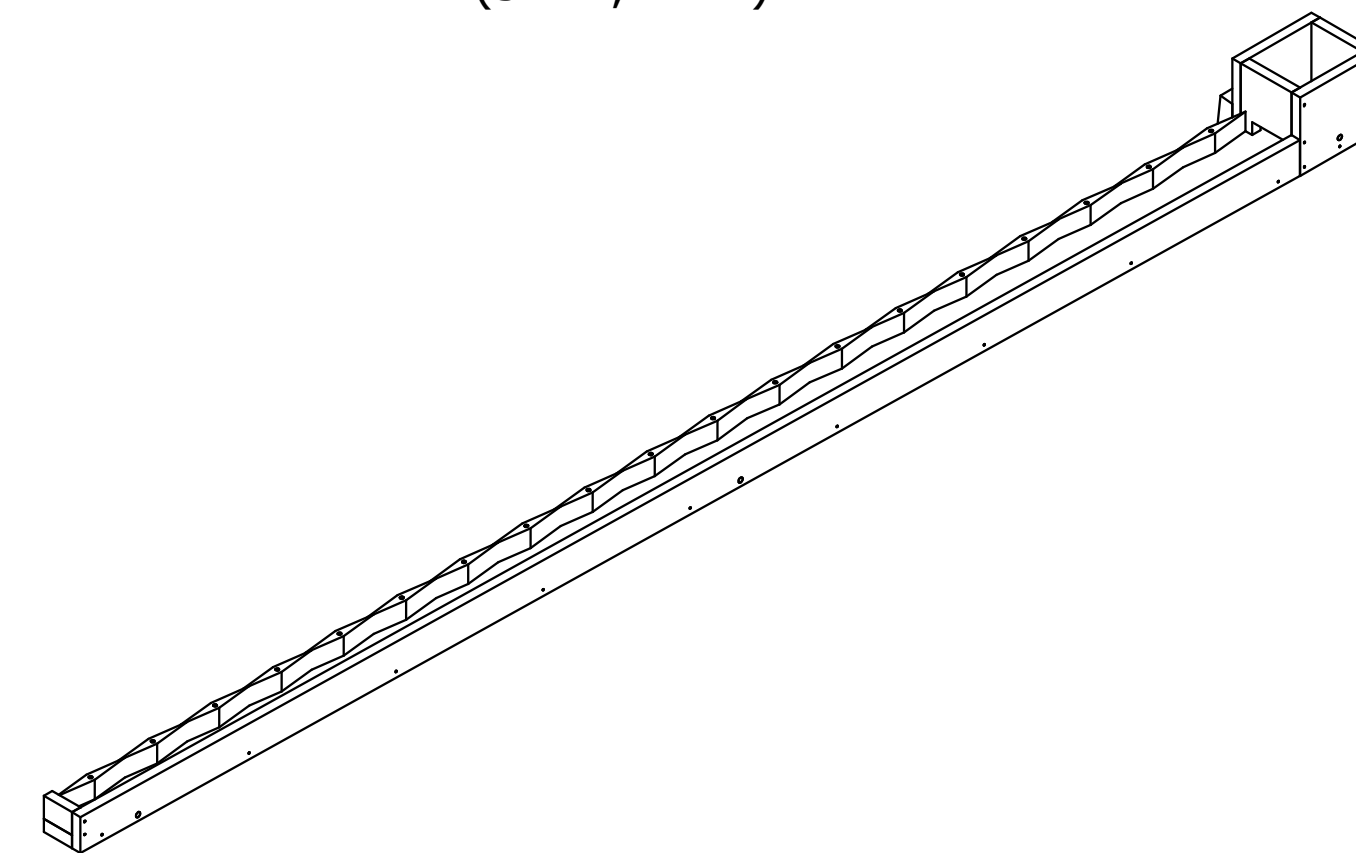
T-58 RH/LH
(SLIME, FEED)



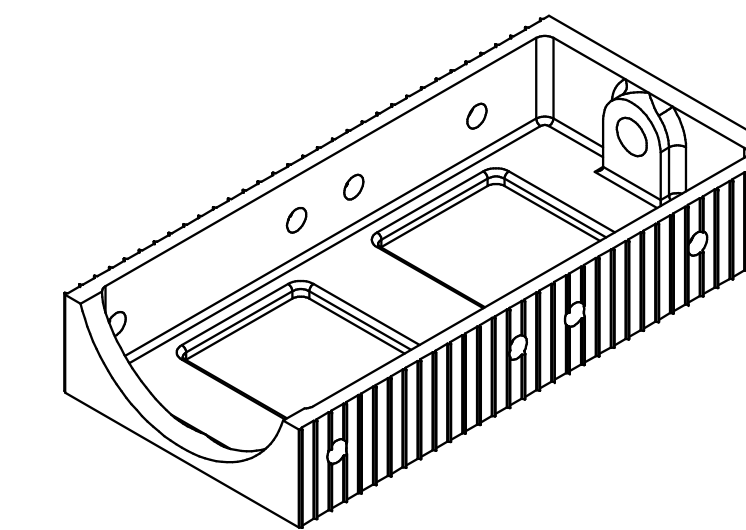
T-59 RH/LH
(SAND, FEED)



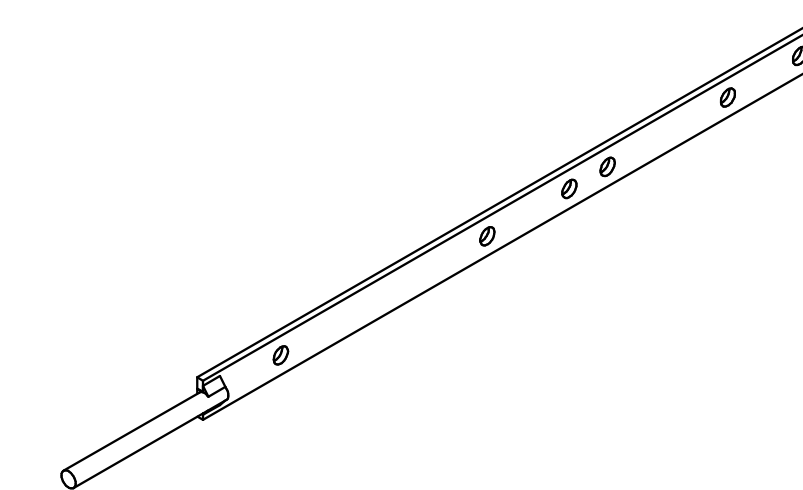
T-60 RH/LH
(SLIME, WATER)



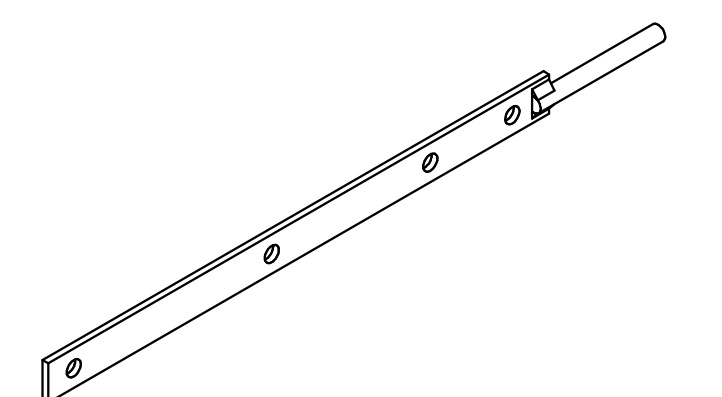
T-61 RH/LH
(SAND, WATER)



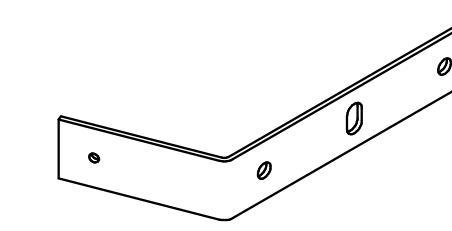
901S



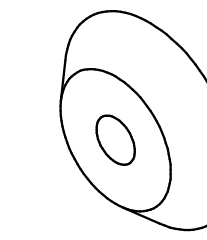
T6-2



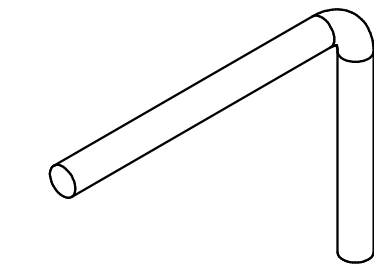
T6



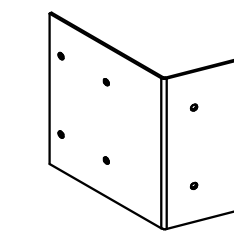
T-91



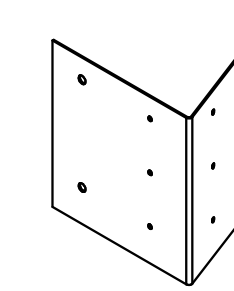
T-80



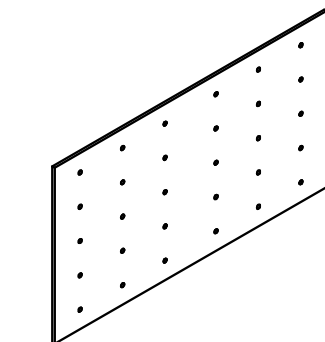
T-79
3/8"-16UNC



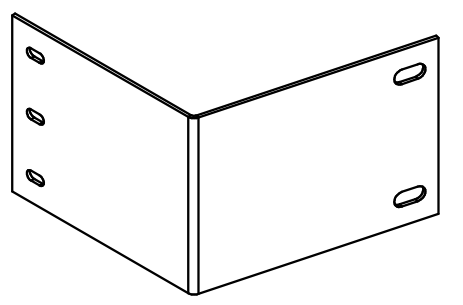
T-16



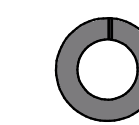
88D8



88D62



T-17



ZM5940
5/8" LOCK WASHER



ZM5900
5/8" HEX NUT



ZM3900
3/8"-16UNC HEX NUT



ZM3120
3/8"-16UNC x 2 1/2" HEX HEAD CAP SCREW,
LOCK WASHER, HEX NUT



ZM4160
1/2"-13UNC x 3" HEX HEAD CAP SCREW,
LOCK WASHER, HEX NUT

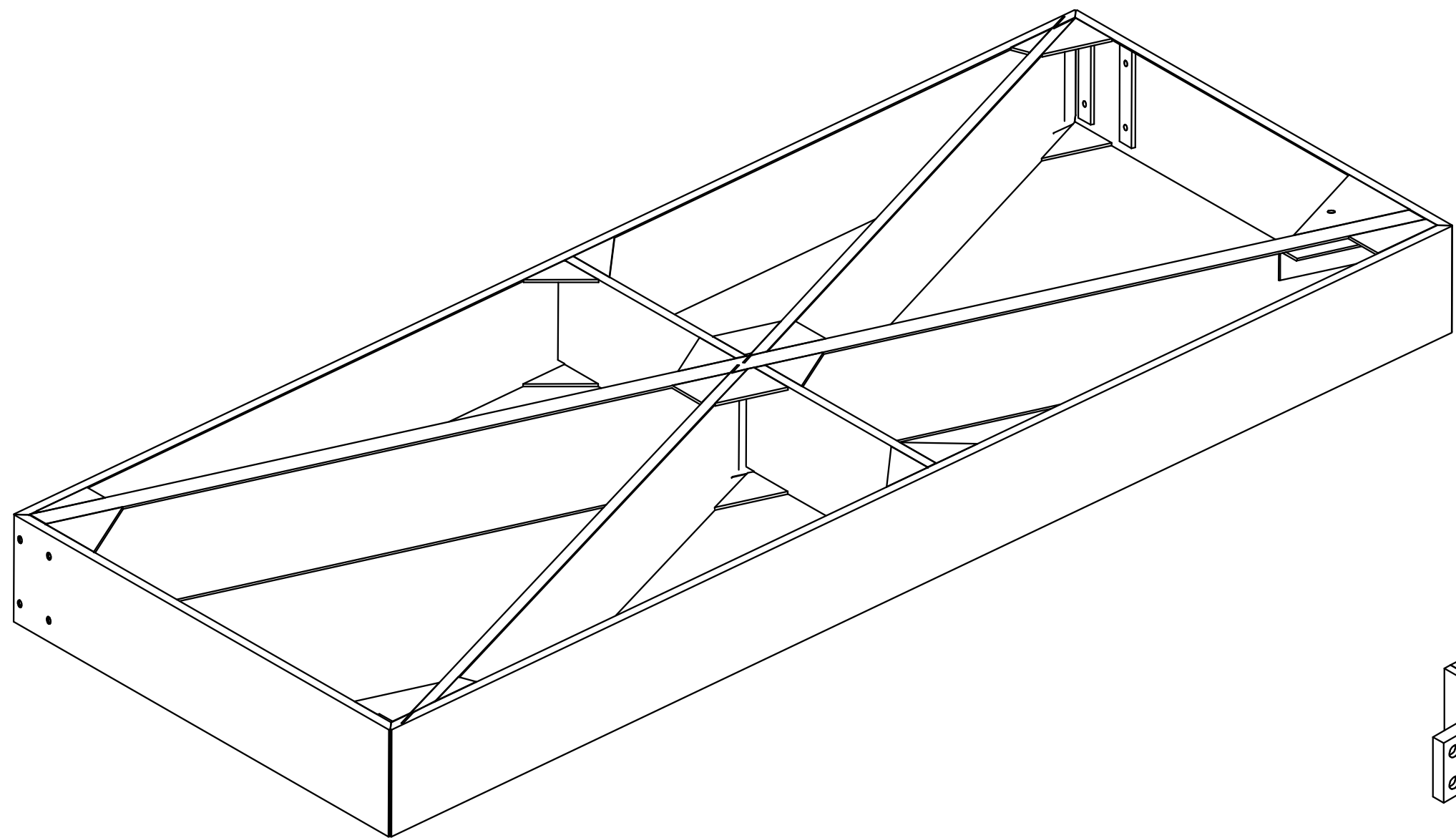


ZM4120
1/2"-13UNC x 2 1/2" HEX HEAD CAP SCREW,
FLAT WASHER, LOCK WASHER, HEX NUT

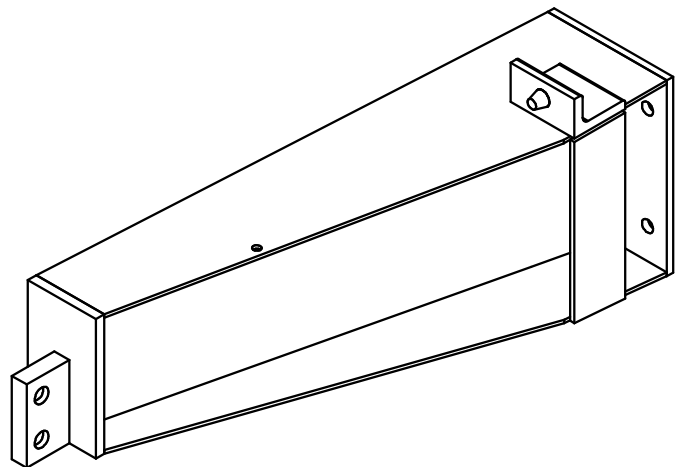
MODEL 'T999' TABLE PARTS DIAGRAM

(SUBFRAME ASSEMBLY)

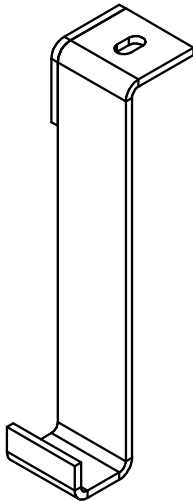
WHEN ORDERING PARTS:
GIVE TABLE SERIAL NUMBER FOUND ON TAG
NOTE ANY DIFFERENCE FROM THIS DIAGRAM



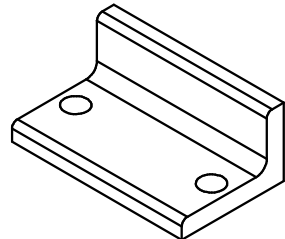
9S5R SHOWN
9S5L OPPOSITE HAND



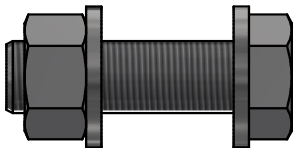
9S3R SHOWN
9S3L OPPOSITE HAND



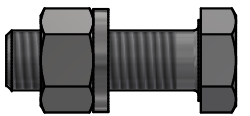
88S20



88S18B

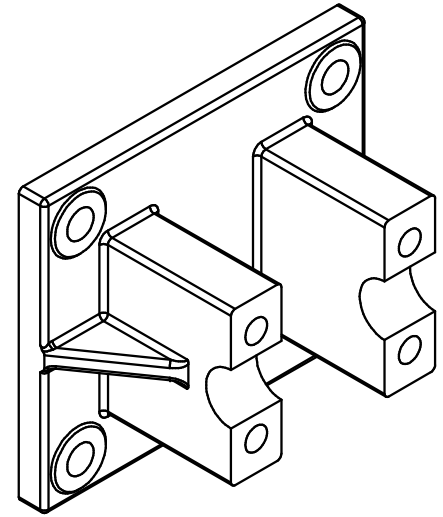


SUBFRAME TO SWIVEL CONNECTOR
3/4"-16UNF x 2 1/2" HEX HEAD CAP SCREW,
2X FLAT WASHER, HEX NUT

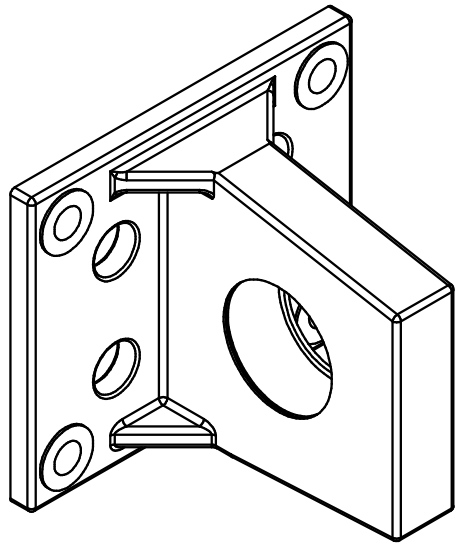


SUBFRAME BOLT
5/8"-11 UNC x 2" HEX HEAD CAP SCREW,
LOCK WASHER, HEX NUT

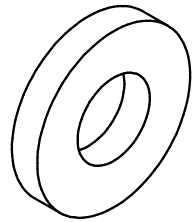
9S1 SWIVEL CONNECTOR PARTS DIAGRAM



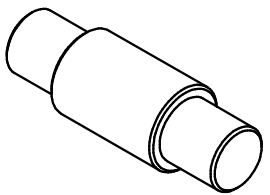
9S1A3-1



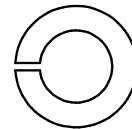
9S1A



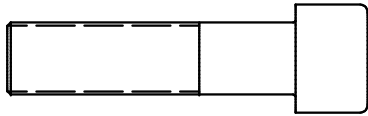
88S1E



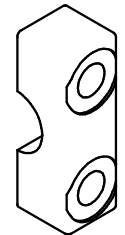
88S2A



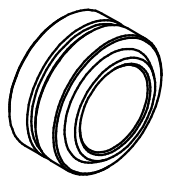
88S2D (ZM6940)
3/4" LOCK WASHER



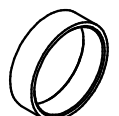
88S2E
3/4"-16UNF x 3" SOCKET HEAD CAP SCREW



9S1A3-2



88S1A



88S2B



88S1B

THIS DRAWING IN ANY FORM IS THE PROPERTY OF DEISTER CONCENTRATOR, LLC. FURNISHED IN CONFIDENCE FOR TEMPORARY USE AND IS TO BE RETURNED IF REQUESTED. NOT TO BE INTERCEPTED OR ACCEPTED AND COPIED, USED FOR PRODUCTION OR DISCLOSED TO OTHERS WITHOUT THE EXPRESS CONSENT OF DEISTER CONCENTRATOR, LLC.