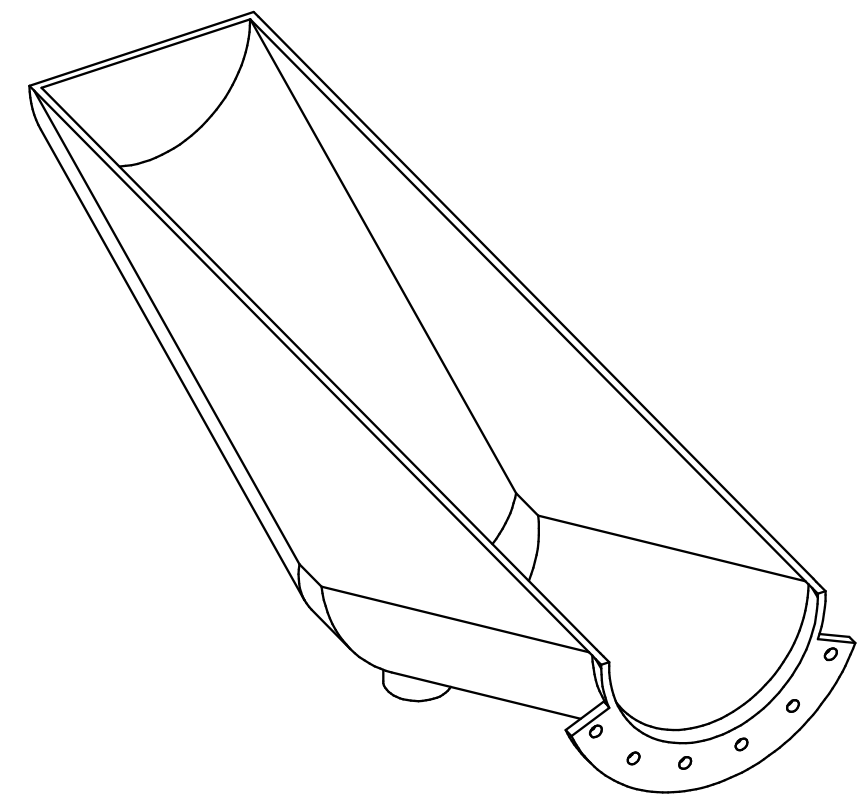
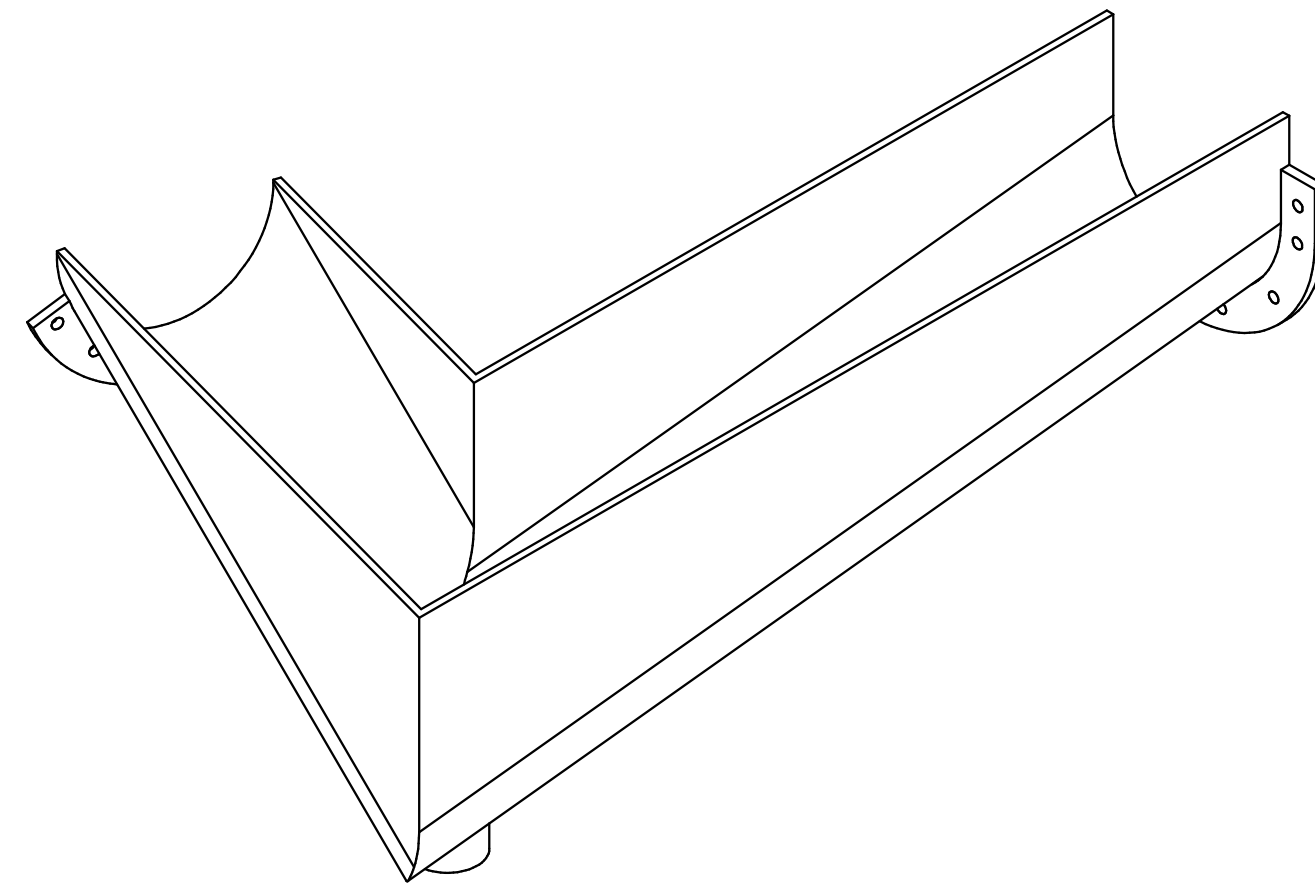


MODEL 'T999' LAUNDRER PARTS DIAGRAM (TROUGH PARTS)

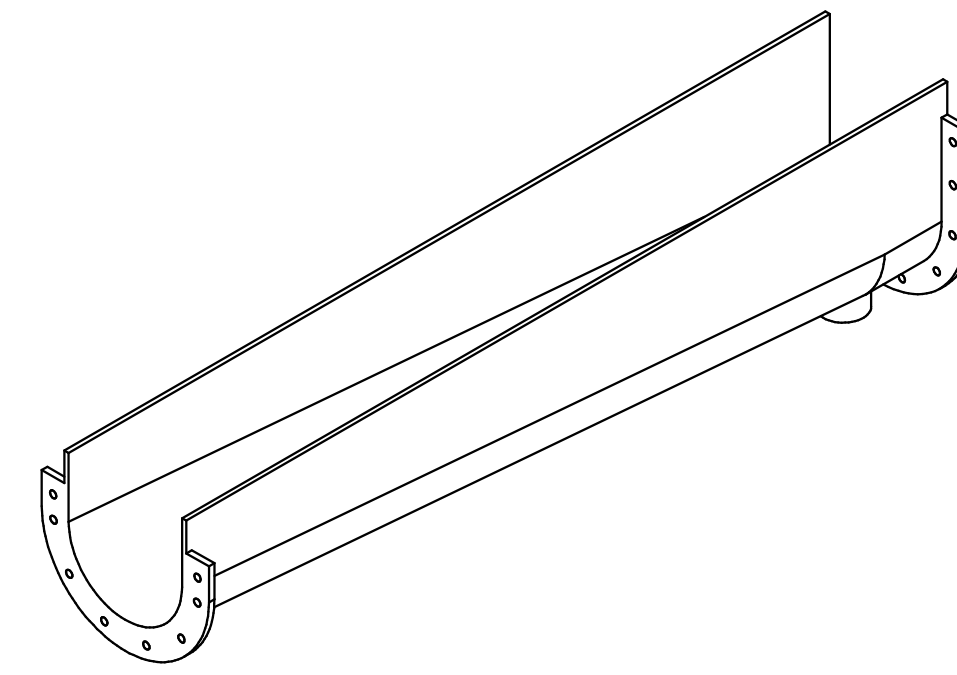
WHEN ORDERING PARTS:
GIVE TABLE SERIAL NUMBER FOUND ON TAG
NOTE ANY DIFFERENCE FROM THIS DIAGRAM



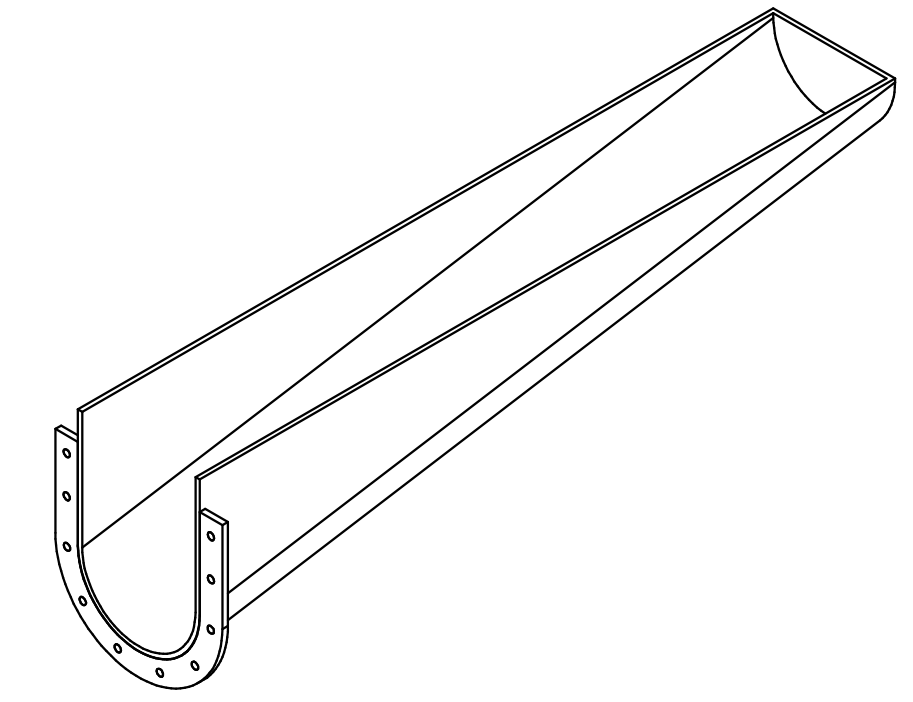
VIEW3
SCALE 1/8



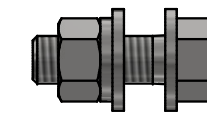
VIEW4
SCALE 1/8



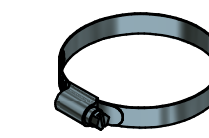
VIEW5
SCALE 1 / 12



VIEW6
SCALE 1 / 12



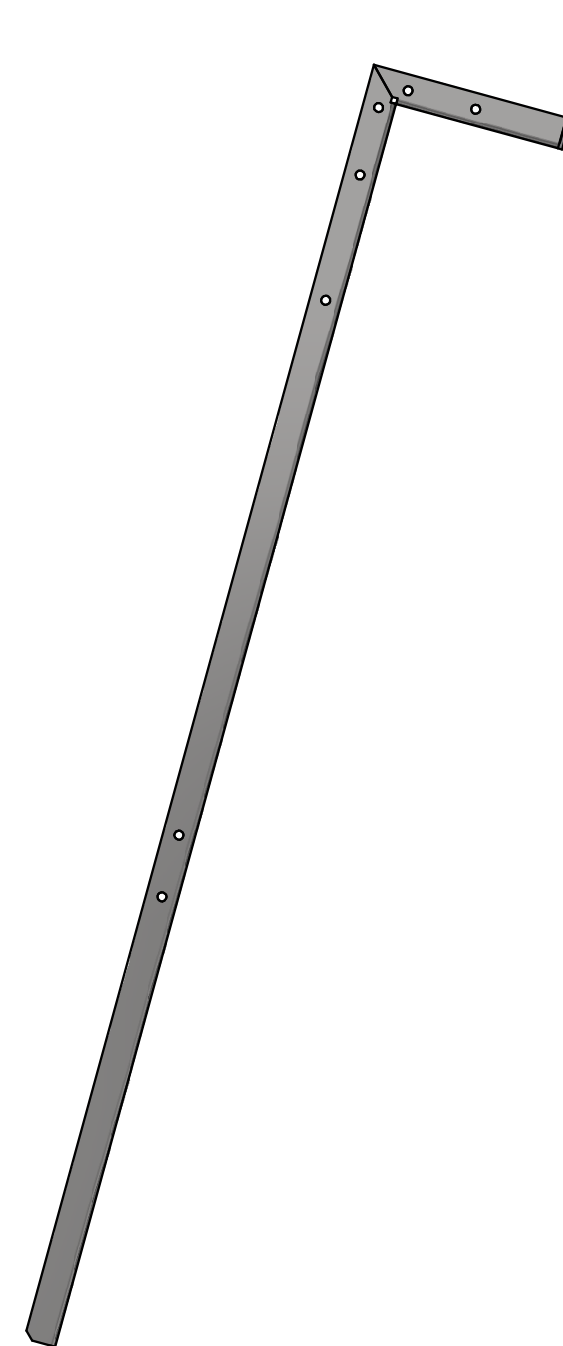
VIEW11
1/2"-13UNC x 1 1/2" HEX CAP SCREW,
(2) FLAT WASHERS, LOCK WASHER,
HEX NUT



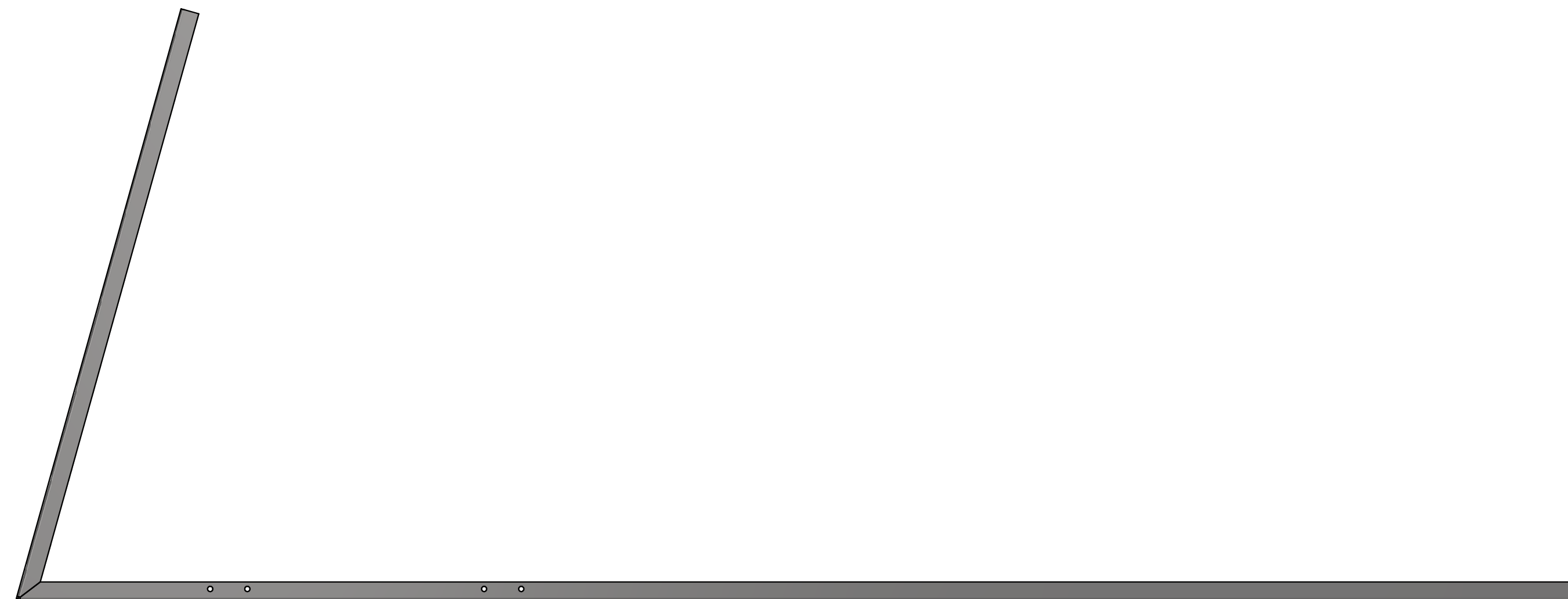
VIEW33
SCALE 1 / 4



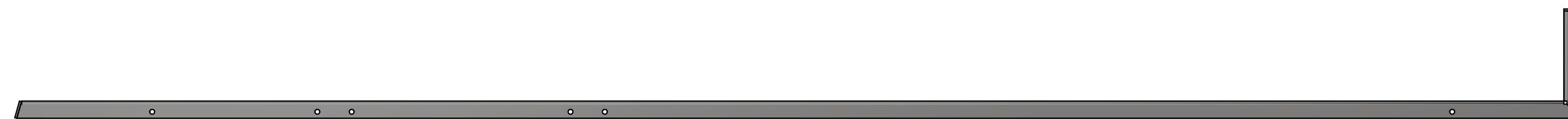
VIEW34
SCALE 1 / 4



VIEW9
SCALE 1/12



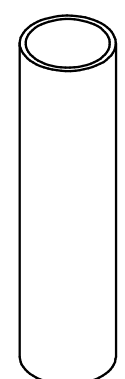
VIEW8
SCALE 1/12



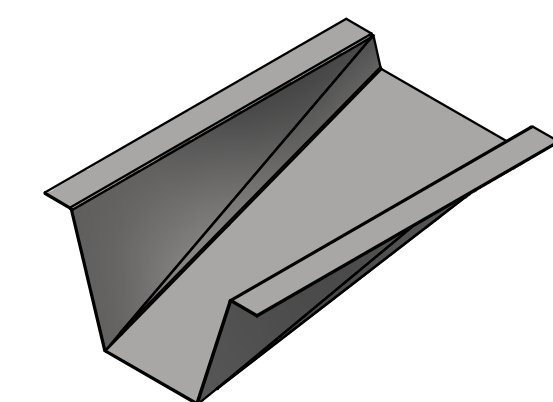
VIEW7
SCALE 1/12



VIEW32
SCALE 1/8



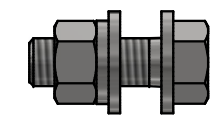
VIEW31
SCALE 1/8



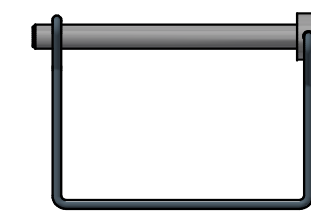
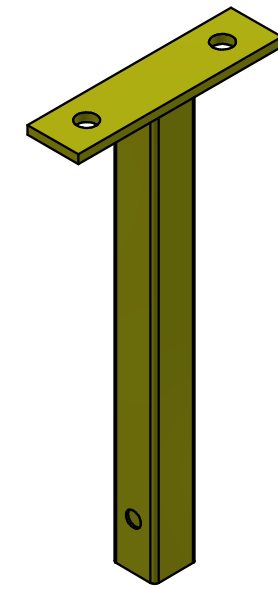
VIEW10
SCALE 1/8

MODEL 'T999' LAUNDRER PARTS DIAGRAM (STAND PARTS)

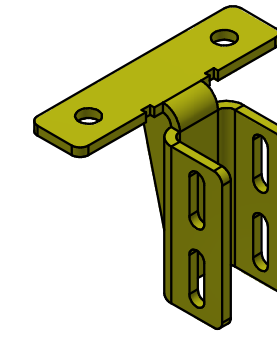
WHEN ORDERING PARTS:
GIVE TABLE SERIAL NUMBER FOUND ON TAG
NOTE ANY DIFFERENCE FROM THIS DIAGRAM



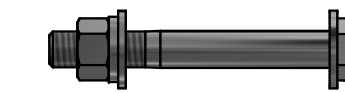
VIEW30
1/2"-13UNC x 1 1/2" HEX CAP SCREW,
(2) FLAT WASHERS, LOCK WASHER,
HEX NUT



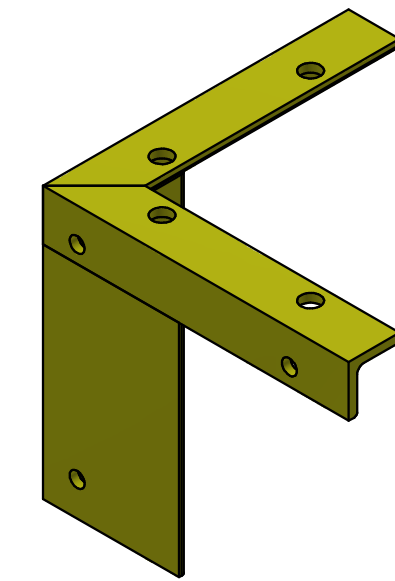
VIEW25
SCALE 1 / 2



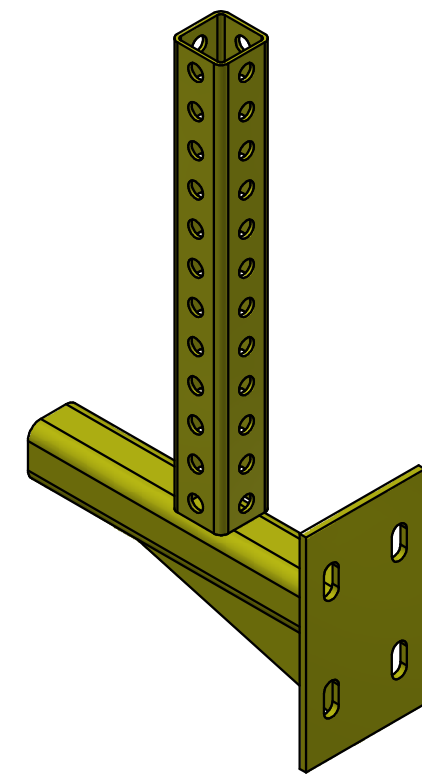
VIEW18
SCALE 1 / 4



VIEW19
3/8"-16UNC x 3" HEX CAP SCREW,
(2) FLAT WASHERS, LOCK WASHER,
HEX NUT



VIEW28
SCALE 1 / 4



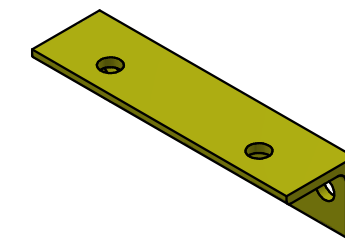
VIEW24
SCALE 1 / 4



VIEW26
3/8"-16UNC x 1" HEX CAP SCREW,
FLAT WASHER, HEX NUT

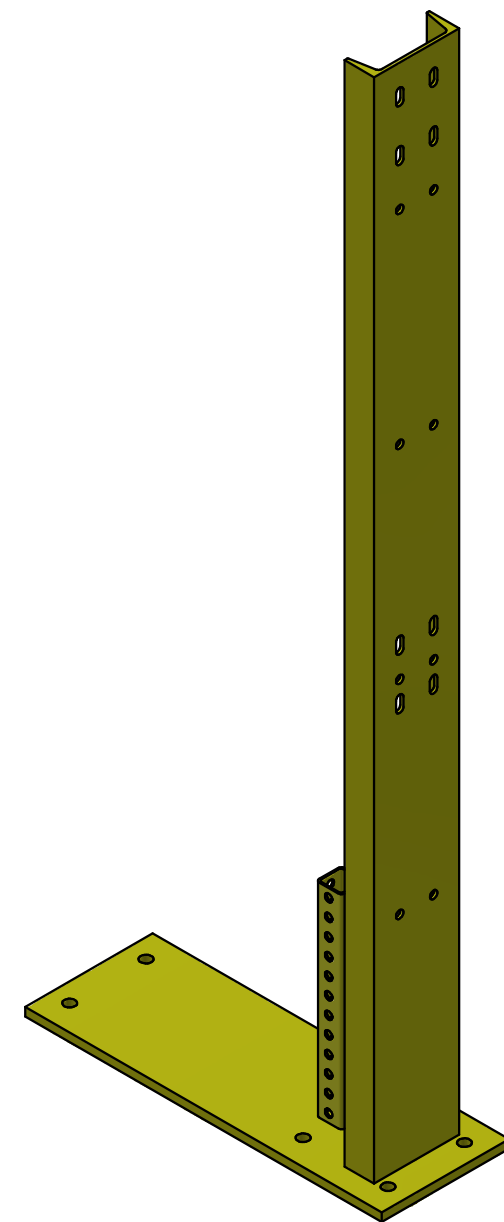


VIEW20
7/16"-14UNC x 1 1/2" HEX CAP SCREW,
FLAT WASHER, HEX NUT

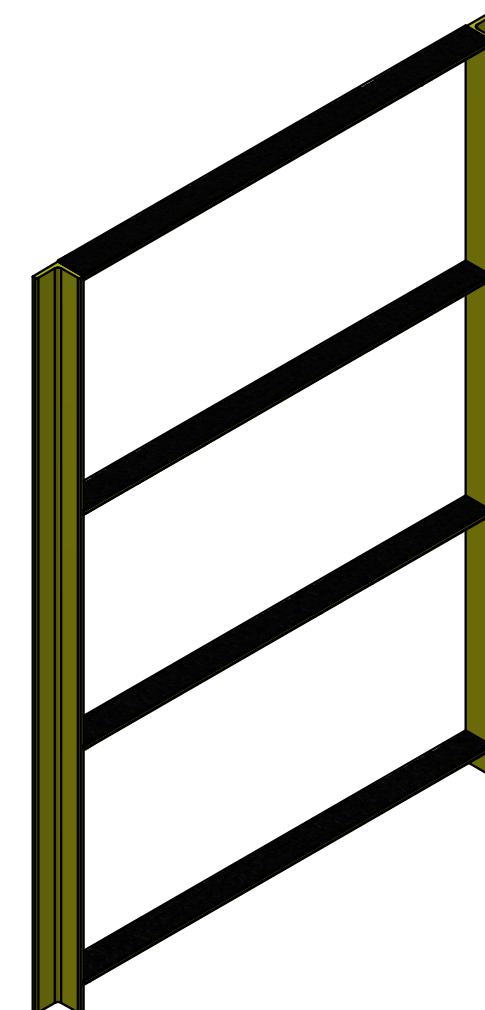


VIEW13
SCALE 1 / 4

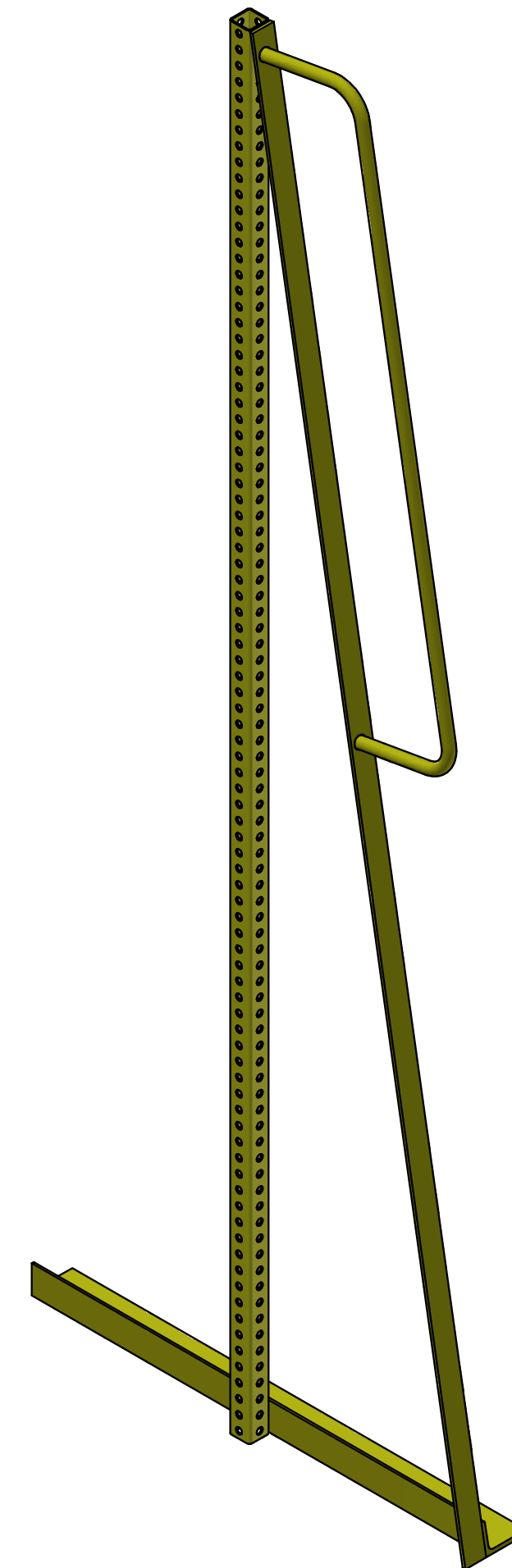
VIEW23
SCALE 1 / 4



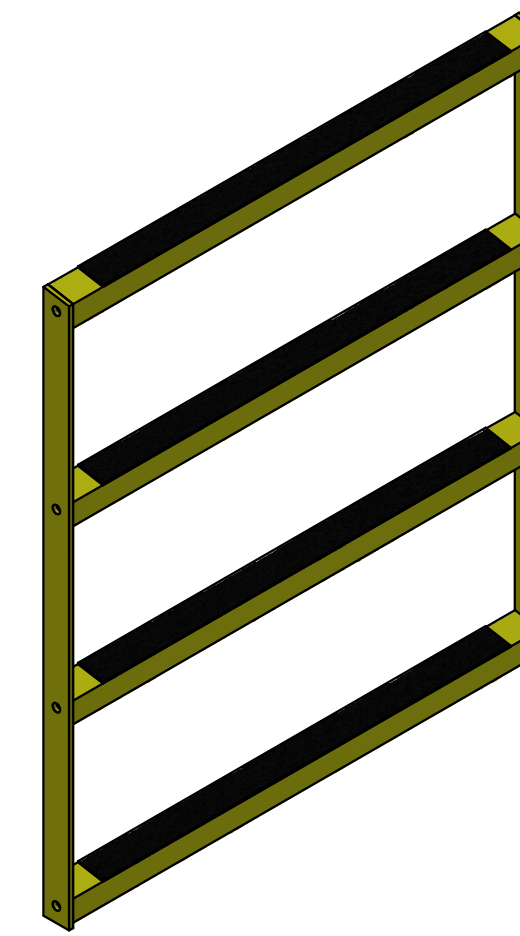
VIEW21
SCALE 1/8



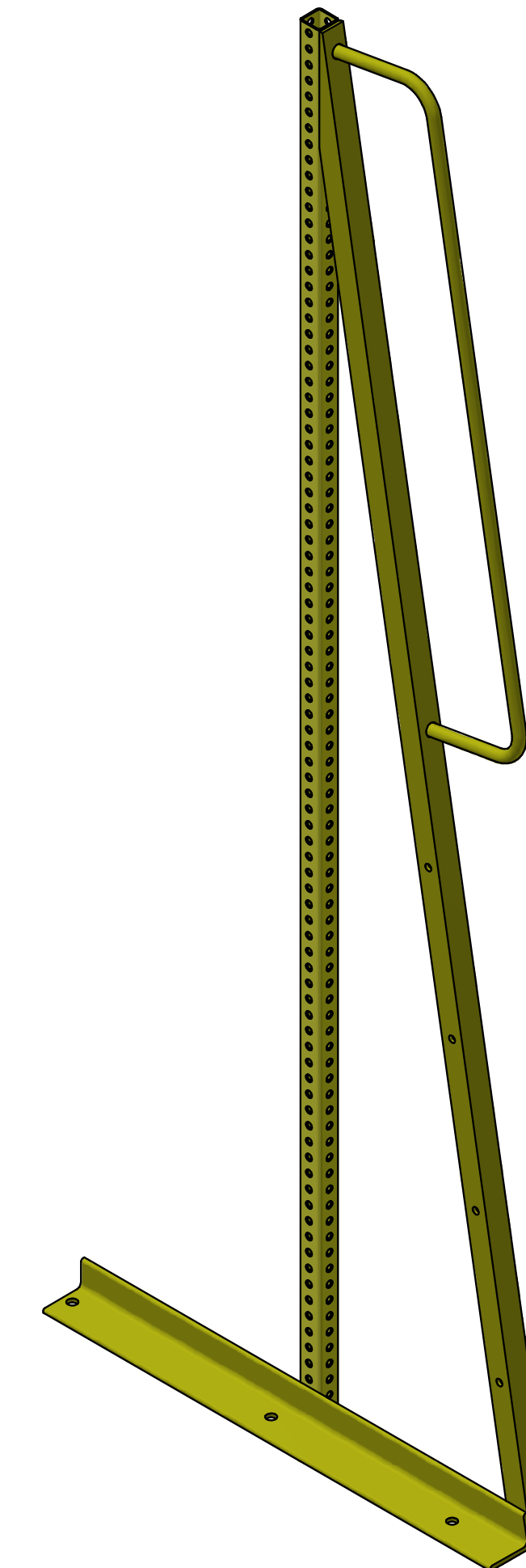
VIEW22
SCALE 1/8



VIEW15
SCALE 1 / 8



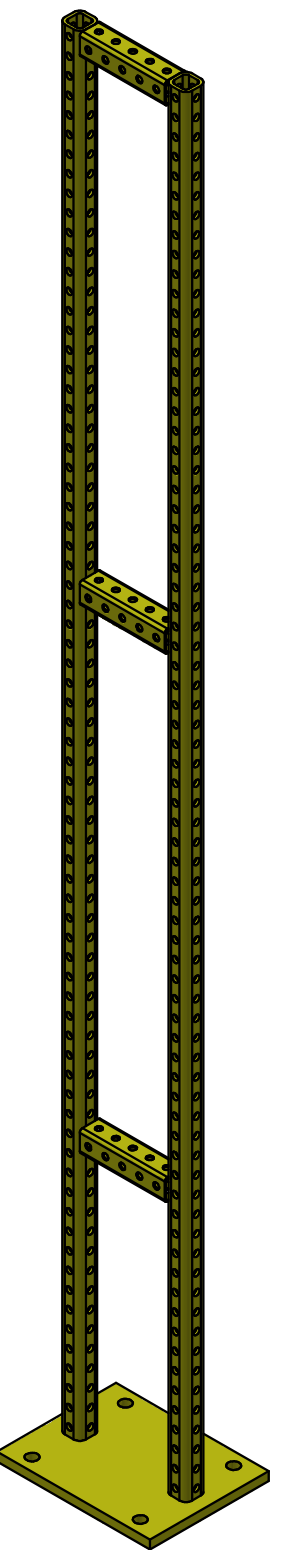
VIEW16
SCALE 1 / 8



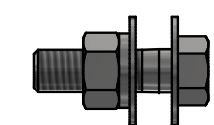
VIEW17
SCALE 1 / 8



VIEW14
3/8"-16UNC x 2 1/4" HEX CAP SCREW,
FLAT WASHER, LOCK WASHER,
HEX NUT



VIEW12
SCALE 1/8



VIEW27
7/16"-14UNC x 1 1/2" HEX CAP SCREW,
(2) FLAT WASHERS, LOCK WASHER,
HEX NUT