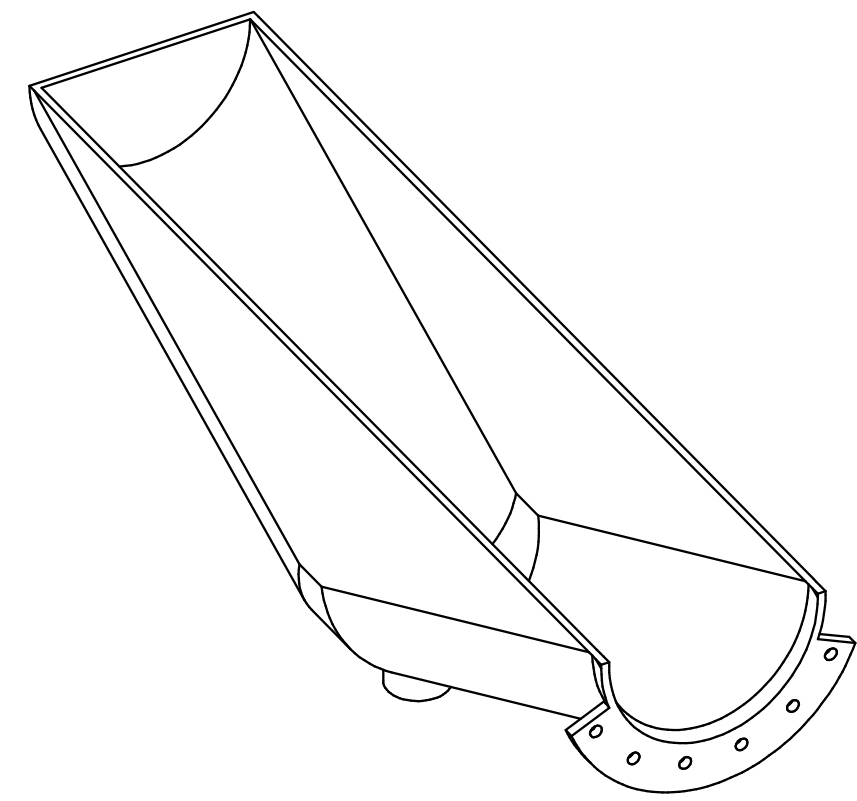
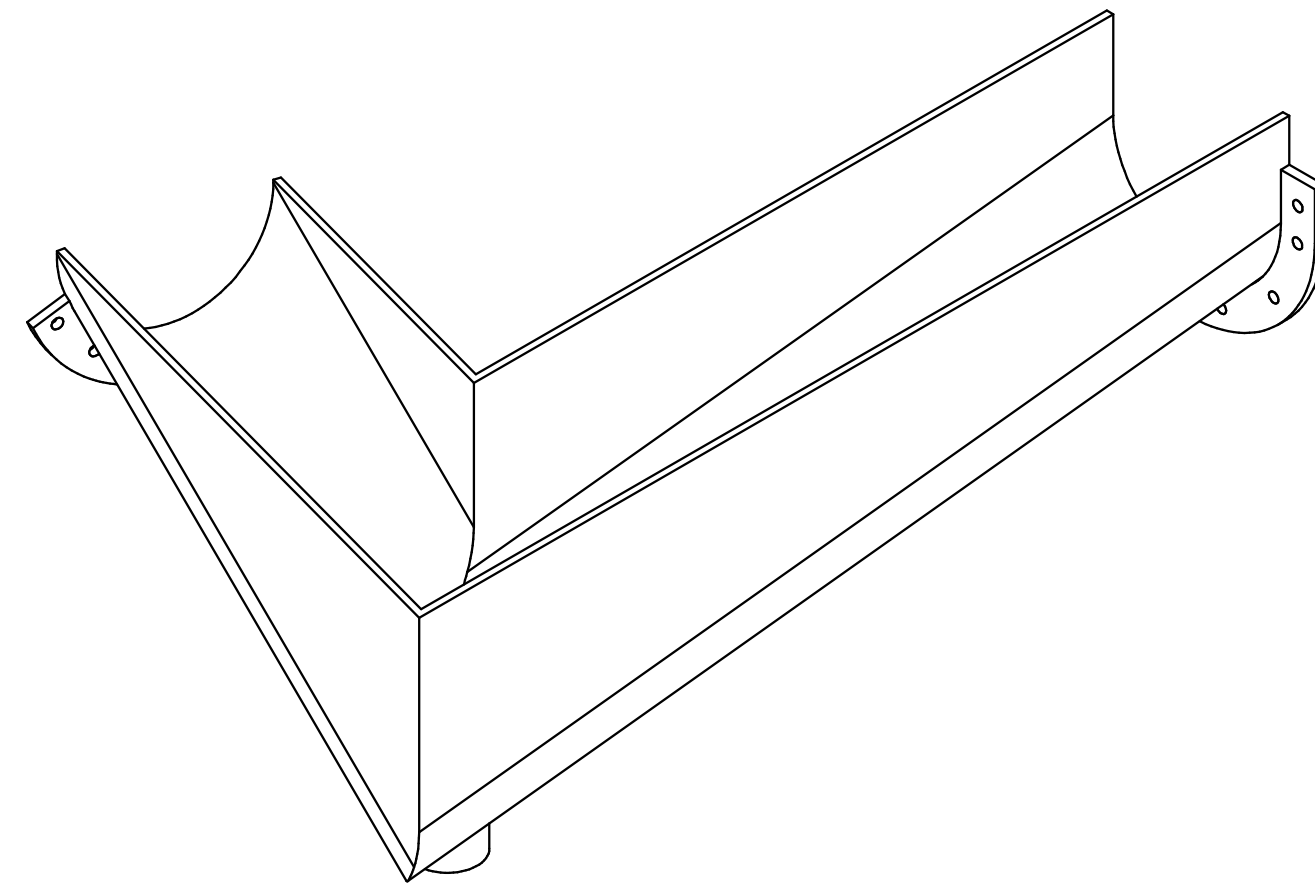


# MODEL 'T999' LAUNDRER PARTS DIAGRAM (TROUGH PARTS)

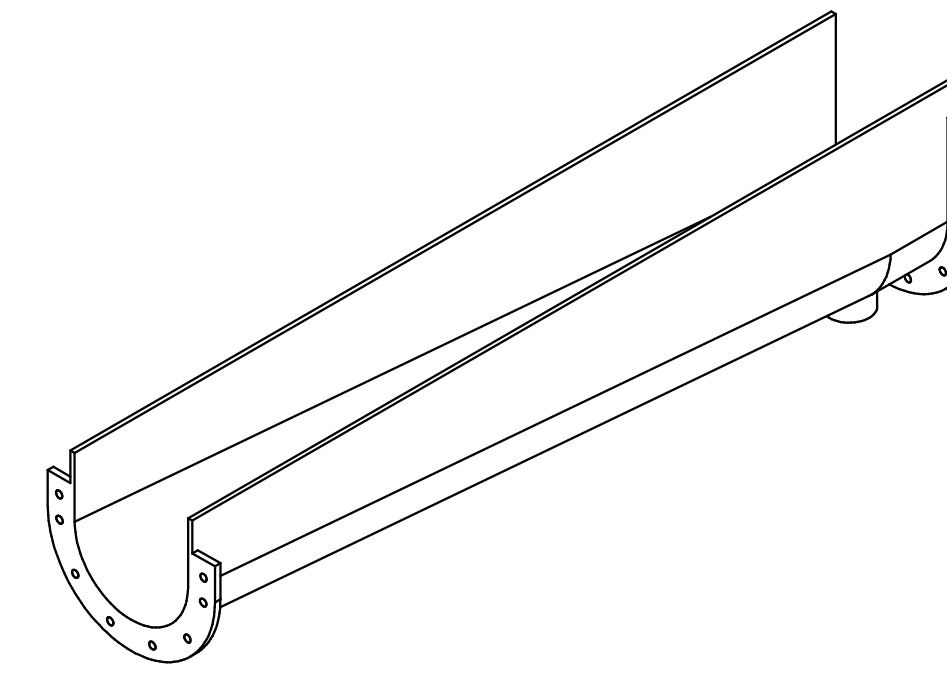
WHEN ORDERING PARTS:  
GIVE TABLE SERIAL NUMBER FOUND ON TAG  
NOTE ANY DIFFERENCE FROM THIS DIAGRAM



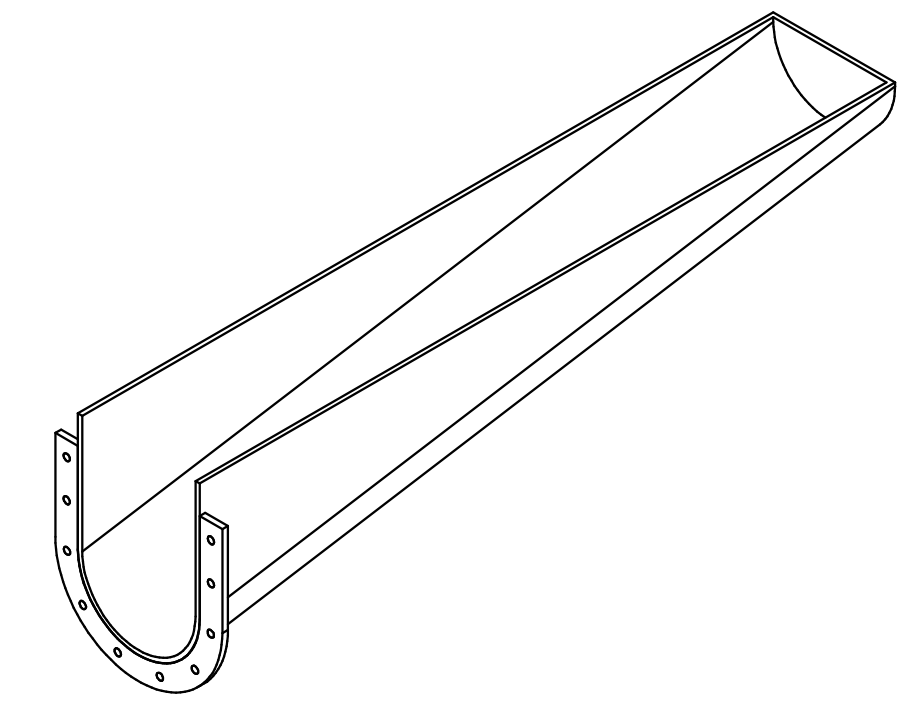
VIEW3  
SCALE 1/8



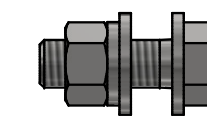
VIEW4  
SCALE 1/8



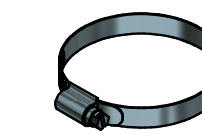
VIEW5  
SCALE 1 / 12



VIEW6  
SCALE 1 / 12



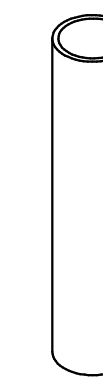
VIEW11  
1/2"-13UNC x 1 1/2" HEX CAP SCREW,  
(2) FLAT WASHERS, LOCK WASHER,  
HEX NUT



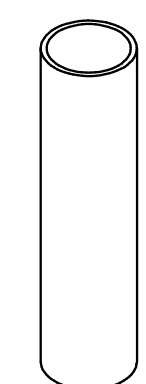
VIEW33  
SCALE 1 / 4



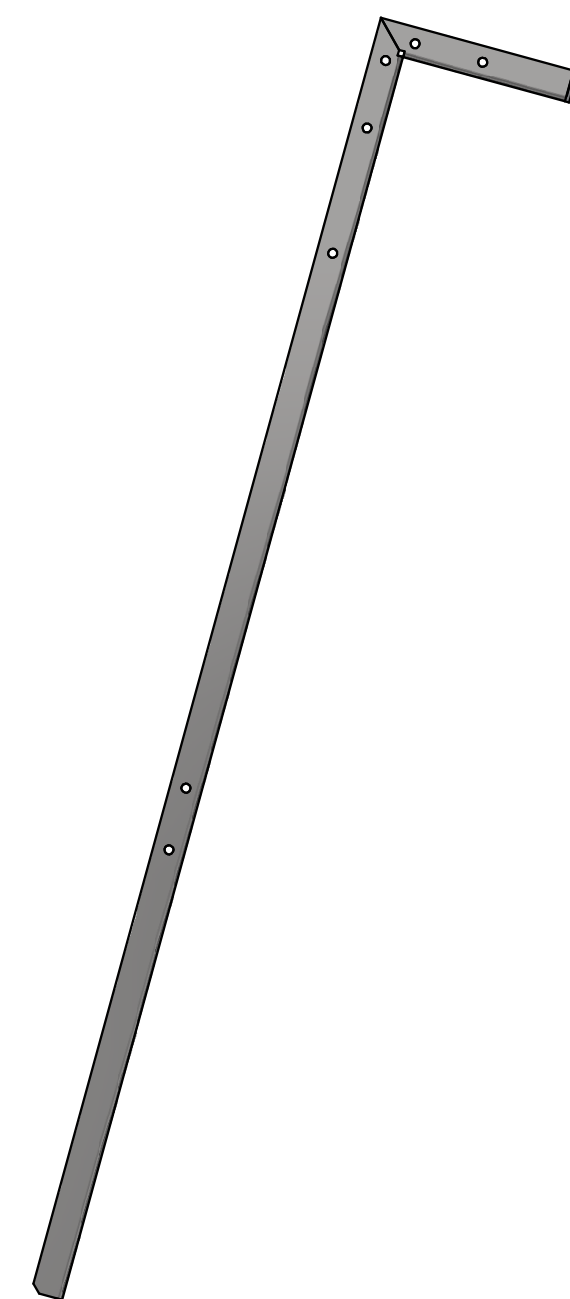
VIEW34  
SCALE 1 / 4



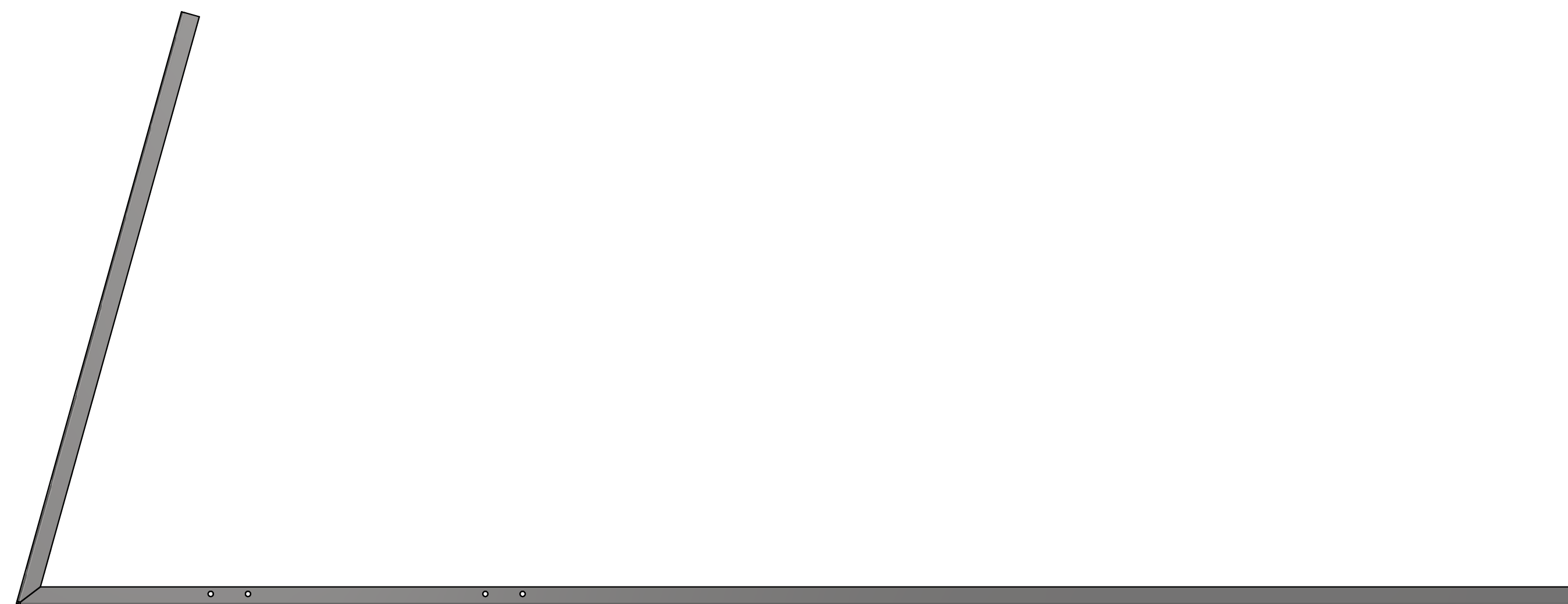
VIEW32  
SCALE 1/8



VIEW31  
SCALE 1/8



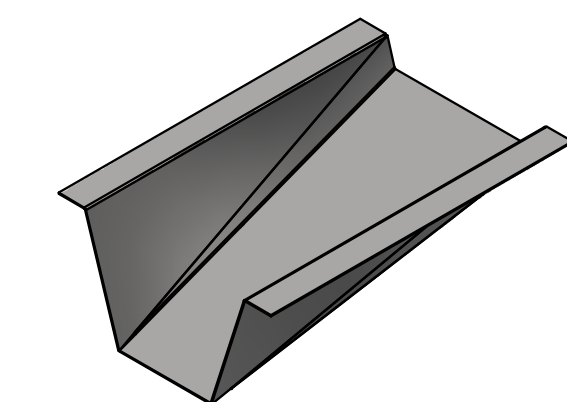
VIEW9  
SCALE 1/12



VIEW8  
SCALE 1/12



VIEW7  
SCALE 1/12



VIEW10  
SCALE 1/8