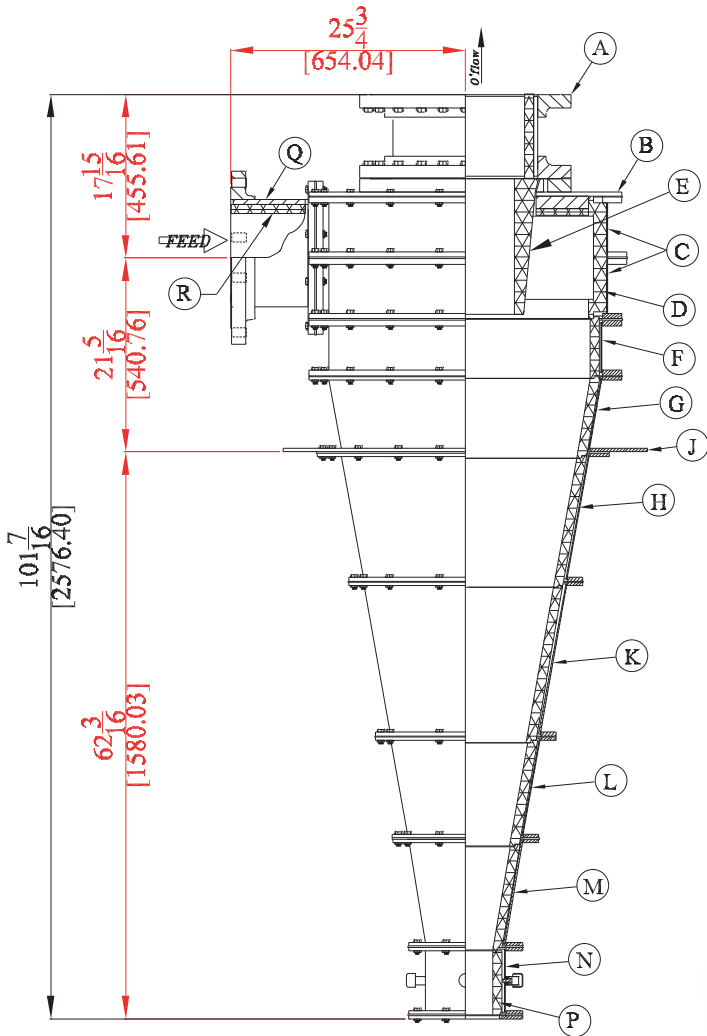


# 28" Cyclone



## Heavy Medium Cyclone

- Involute Feed Entry
- Feed Entry and Overflow Pipe SiC Lined
- Monolithic SiC and High Alumina Liners
- 55.0 and 63.0 Square-Inch Inlets Available
- Alternate Apex Attachments Available
- 170 to 225 TPH Solids Feed Rate
- 2,000 to 3,000 GPM Slurry Feed Rate



A	Overflow Pipe - Ceramic Lined or Unlined
B	Overflow Plate
C	Steel Feed Jacket
D	63.0 Sq. in. Opening Ceramic Inlet Feed Liner
E	Ceramic Overflow Orifice
F	Steel Straight Jacket - Ceramic Lined
G	28"Ø x 24"Ø Steel Cone Jacket - Ceramic Lined
H	24"Ø x 20" Steel Cone Jacket - Ceramic Lined
J	Cyclone Support
K	20"Ø x 20" Steel Cone Jacket - Ceramic Lined
L	14"Ø x 20" Steel Cone Jacket - Ceramic Lined
M	Steel Reducer Jacket - Ceramic Lined
N	Steel Apex Jacket
P	Permant Ceramic Apex
Q	Feed Adapter - Ceramic Lined or Unlined
R	Feed Adapter - Ceramic Lined (Optional)
Average dead weight of unit: 1767 Kg./3900 Lbs.	
Live load (specific gravity = 1.8) : 892 Kg./1969 Lbs.	

Deister Concentrator, LLC

# 28" Heavy Medium Cyclone

Deister- Model C-28B-20FB Heavy Medium Cyclone, 63.0 Sq. in. (40,645 Sq. mm) Inlet

Capacity Curve

